

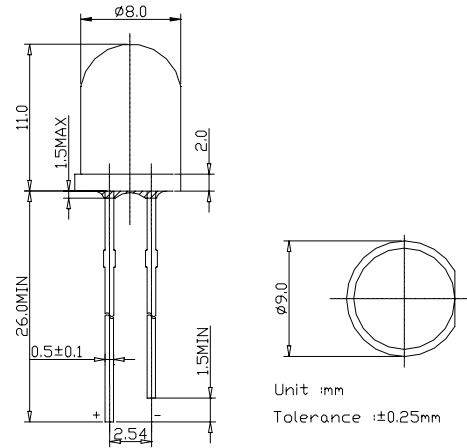
### ■Features

- High Luminous Output
- 8mm Standard Directivity
- Superior Weather-resistance

### ■Applications

- Traffic signal lamp
- Automotive Lighting

### ■Outline Dimension

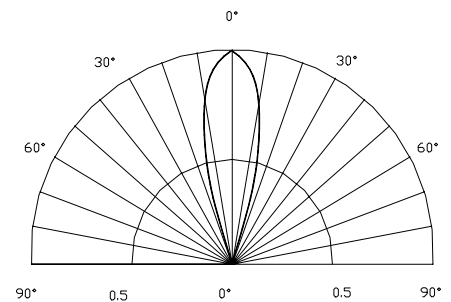


### ■Absolute Maximum Rating (Ta=25 )

| Item                       | Symbol    | Value      | Unit |
|----------------------------|-----------|------------|------|
| DC Forward Current         | $I_F$     | 25         | mA   |
| Pulse Forward Current*     | $I_{FP}$  | 150        | mA   |
| Reverse Voltage            | $V_R$     | 5          | V    |
| Power Dissipation          | $P_D$     | 200        | mW   |
| Operating Temperature      | $T_{opr}$ | -40 ~ +95  |      |
| Storage Temperature        | $T_{stg}$ | -40 ~ +100 |      |
| Lead Soldering Temperature | $T_{sol}$ | 260 /5sec  | -    |

\*Pulse width Max.10ms Duty ratio max 1/10

### ■Directivity



### ■Electrical -Optical Characteristics (Ta=25 )

| Item               | Symbol          | Condition   | Min. | Typ. | Max. | Unit    |
|--------------------|-----------------|-------------|------|------|------|---------|
| DC Forward Voltage | $V_F$           | $I_F=20$ mA | -    | 2.0  | 2.5  | V       |
| DC Reverse Current | $I_R$           | $V_R=5$ V   | -    | -    | 50   | $\mu$ A |
| Dom. Wavelength    | $\lambda_D$     | $I_F=20$ mA | -    | 625  | -    | nm      |
| Luminous Intensity | $I_v$           | $I_F=20$ mA | -    | 3000 | -    | mcd     |
| 50% Power Angle    | $2\theta_{1/2}$ | $I_F=20$ mA | -    | 30   | -    | deg     |

## LED & Application Technologies