

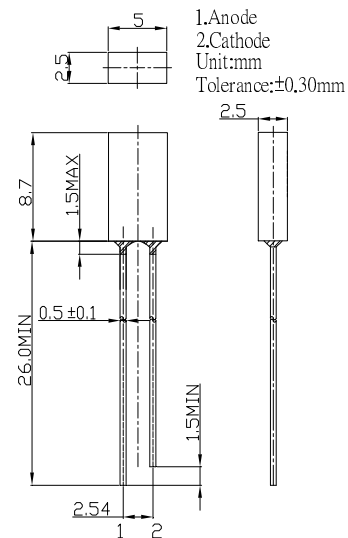
### ■ Features

- High Luminous LEDs
- 2.5x5x8.7mm Rectangular Standard Directivity
- Superior Weather-resistance
- UV Resistant Epoxy
- Water Clear Type

### ■ Applications

- Electronic Signs And Signals
- Small Area Illuminations
- Back Lighting
- Other Lighting

### ■ Outline Dimension



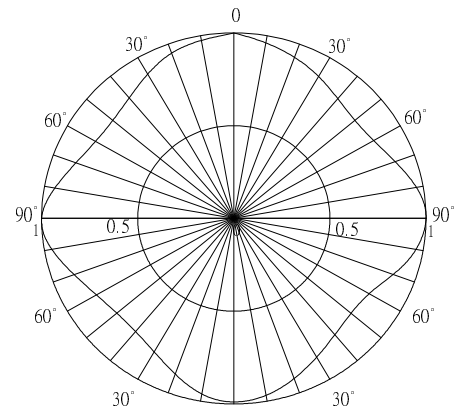
[参考資料]

### ■ Absolute Maximum Rating

(Ta=25°C)

Item	Symbol	Value	Unit
DC Forward Current	I <sub>F</sub>	20	mA
Pulse Forward Current*	I <sub>FP</sub>	60	mA
Reverse Voltage	V <sub>R</sub>	15	V
Power Dissipation	P <sub>D</sub>	260	mW
Operating Temperature	T <sub>opr</sub>	-30 ~ +85	°C
Storage Temperature	T <sub>stg</sub>	-40 ~ +100	°C
Lead Soldering Temperature	T <sub>sol</sub>	260°C/5sec	-

### ■ Directivity



\*Pulse width Max.10ms Duty ratio max 1/10

### ■ Electrical -Optical Characteristics

(Ta=25°C)

Item	Symbol	Condition	Min.	Typ.	Max.	Unit
DC Forward Voltage	V <sub>F</sub>	I <sub>F</sub> =20mA	10	11	13	V
DC Reverse Current	I <sub>R</sub>	V <sub>R</sub> =5V	-	-	10	μA
Luminous Flux	Φ <sub>v</sub>	I <sub>F</sub> =20mA	35	38	-	lm
Color Temperature	CCT	I <sub>F</sub> =20mA	2700	3200	4000	K
Chromaticity Coordinates*	x	I <sub>F</sub> =20mA	-	0.42	-	-
	y	I <sub>F</sub> =20mA	-	0.39	-	-
50% Power Angle	2θ <sub>1/2</sub>	I <sub>F</sub> =20mA	-	360	-	deg

\*1 Luminous Flux Measurement allowance is ±15%

\*2 Chromaticity Coordinates Measurement allowance is ±10