



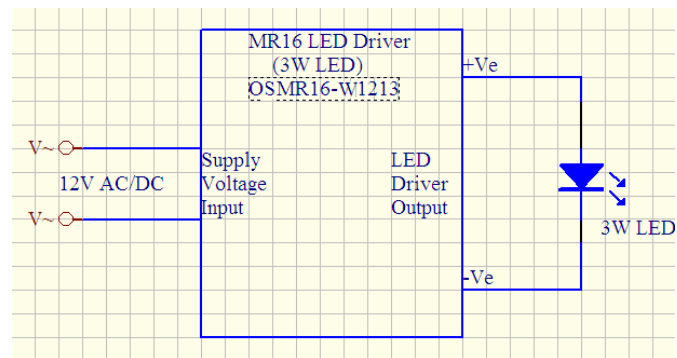
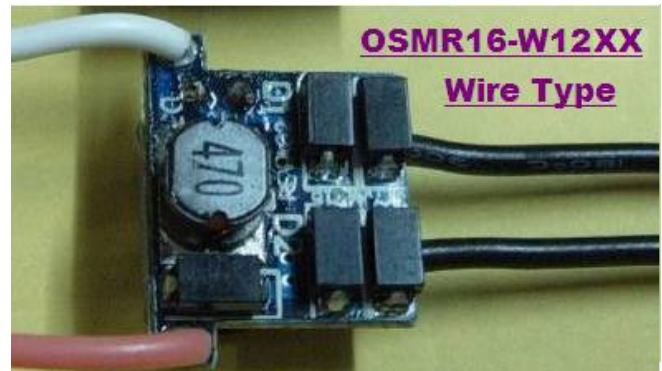
OptoSupply

Knowledge Is Life

MR16 LED Driver (1pc 3W LED) OSMR16-W1213

Features:

- Design for MR16 to replace halogen lamp
- Slim Size with T-shape 18mm(13.8mm) (Length)*
13mm (Width) (not include 40mm input wires) *
13mm (Height for both side components)
- Suitable for 1pc 3W LED
- Self adapting output voltage to suit for wide range
Vf LED (Vf = 3.6V typ.).
- Input voltage suitable for 12V AC / DC
- Constant 650mA output current to drive LEDs
- Output short circuit protection
- Self over temperature protection
- High conversion efficient (up to 90%)
- Weight 3g approximate



Maximum Rating:

Parameter	Symbol	Value	Units
Supply Voltage	V_{in}	15VAC, / DC	V
Max Operation Current	I_{max}	1	A
Operation Temperature Range	T_{op}	-10 to 50	°C
Storage Temperature	T_{stg}	-20 to 85	°C

Electrical Characteristics (@TA=25°C):

Parameter	Symbol	Min	Typ	Max	Units
Supply Voltage - DC	V_{in-dc}	11	12	15	V
Supply Voltage - AC	V_{in-ac}	11	12	15	V
Input Frequency – AC supply	f_{in}	47		50k	Hz
Output Current	I_{op}		650		mA