

■ **Features**

- Super Bright
- Big Emitting Angle
- Long Life
- Quick Response
- Superior ESD Protection
- Superior UV Resistance
- Can be equipped with lens: OS-OLTX3525X

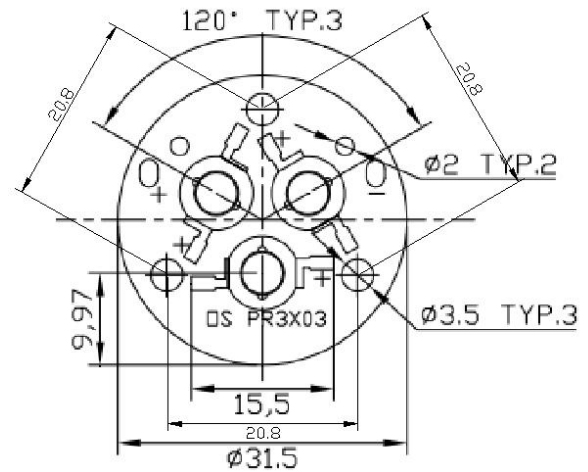
■ **Applications**

- Small Space Lighting
- Mechanical equipment lights

■ **Outline Size**

Unit: mm

Tolerance: ±0.30mm



■ **Absolute Maximum Rating**

(Ta=25°C)

■ **Picture**

| Item | Symbol | Value | Unit |
|-----------------------|----------------|------------|------|
| Operating Temperature | Tope | -30 ~ +85 | °C |
| Storage Temperature | Tstg | -40 ~ +100 | °C |
| Input Voltage(DC) | V _i | 12 | V |
| Input Current(DC) | I _i | 400 | mA |
| Power Dissipation | P _a | 4.8 | W |



■ **Electrical -Optical Characteristics**

(Ta=25°C)

■ **Circuit**

| Item | Symbol | Condition | Min. | Typ. | Unit |
|----------------------|----------------|-----------------------|------|------|------|
| Input Voltage(DC) | V _i | - | 9 | 10 | V |
| Input Current(DC) | I _i | - | 150 | 350 | mA |
| Power Dissipation | P _a | - | 1.35 | 3.5 | W |
| Color Temperature | CCT | I _F =350mA | - | 3000 | K |
| Whole Luminous Flux* | Φ _v | I _F =350mA | - | 270 | lm |
| Beam Pattern | BP | - | - | 120 | Deg |
| Net Weight | Wei | - | - | 5 | g |

*Tolerance of luminous intensity is ±15

