

■ **Features**

- Super Bright
- Big Emitting Angle
- Long Life
- Quick Response
- Superior ESD Protection
- Superior UV Resistance
- Can be equipped with lens: OS-OLTX3525X

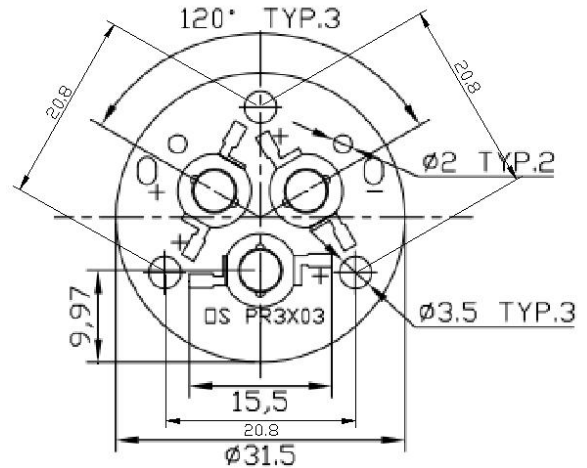
■ **Applications**

- Small Space Lighting
- Mechanical equipment lights
-

■ **Outline Size**

Unit: mm

Tolerance: ±0.30mm



■ **Absolute Maximum Rating**

(Ta=25°C)

■ **Picture**

Item	Symbol	Value	Unit
Operating Temperature	Tope	-30 ~ +85	°C
Storage Temperature	Tstg	-40 ~ +100	°C
Input Voltage(DC)	Vi	12	V
Input Current(DC)	li	400	mA
Power Dissipation	Pa	4.8	W

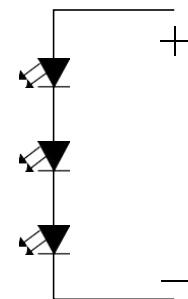


■ **Electrical -Optical Characteristics**

(Ta=25°C)

■ **Circuit**

Item	Symbol	Condition	Min.	Typ.	Unit
Input Voltage(DC)	Vi	-	9	10	V
Input Current(DC)	li	-	150	350	mA
Power Dissipation	Pa	-	1.35	3.5	W
Color Temperature	CCT	If=350mA	-	6500	K
Whole Luminous Flux*	Φv	If=350mA	-	300	lm
Beam Pattern	BP	-	-	120	Deg
Net Weight	Wei	-	-	5	g



*Tolerance of luminous intensity is ±15