

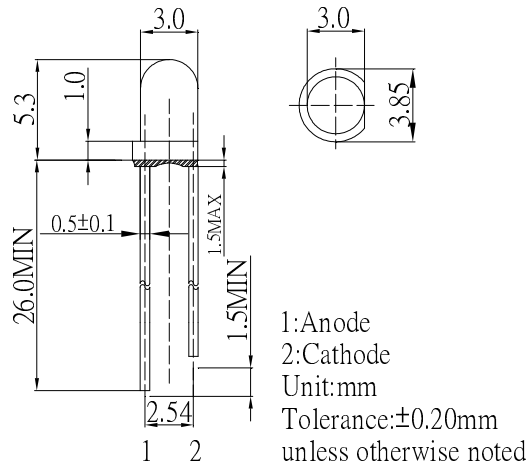
■Features

- High Luminous LEDs
- 3mm Standard Directivity
- UV Resistant Epoxy
- Water Clear Type

■Applications

- Automotive Dashboard Lighting
- Money Detector
- Back Lighting
- Other Lighting

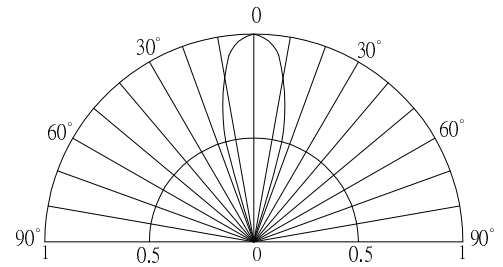
■Outline Dimension



■Absolute Maximum Rating (Ta=25°C)

Item	Symbol	Value	Unit
DC Forward Current	I _F	30	mA
Pulse Forward Current#	I _{FP}	100	mA
Reverse Voltage	V _R	5	V
Power Dissipation	P _D	114	mW
Operating Temperature	T _{opr}	-30 ~ +85	°C
Storage Temperature	T _{stg}	-40 ~ +100	°C
Lead Soldering Temperature	T _{sol}	260°C/5sec	-

■Directivity



#Pulse width Max.10ms Duty ratio max 1/10

■Electrical -Optical Characteristics (Ta=25°C)

Item	Symbol	Condition	Min.	Typ.	Max.	Unit
DC Forward Voltage*1	V _F	I _F =20mA	3.0	3.4	3.8	V
DC Reverse Current	I _R	V _R =5V	-	-	10	μA
Peak Wavelength*2	λ _p	I _F =20mA	400	405	410	nm
Radiant flux*3	Φ _e	I _F =20mA	2.0	5.0	6.0	mW
50% Power Angle	2θ _{1/2}	I _F =20mA	-	30	-	deg

*1 Tolerance of measurements of forward voltage is ±0.1V
 *2 Tolerance of measurements of peak wavelength is ±1nm
 *3 Tolerance of measurements of radiant flux is ±15%

LED & Application Technologies	 ISO 9001: 2008	 RoHS Compliant EU 2002/95/EC	 REACH The new EU chemicals legislation	 ATTENTION OBSERVE PRECAUTIONS ELECTROSTATIC SENSITIVE DEVICES
---	--	---	---	--

InGaN LED

TYPICAL ELECTRICAL/OPTICAL CHARACTERISTIC CURVES

