

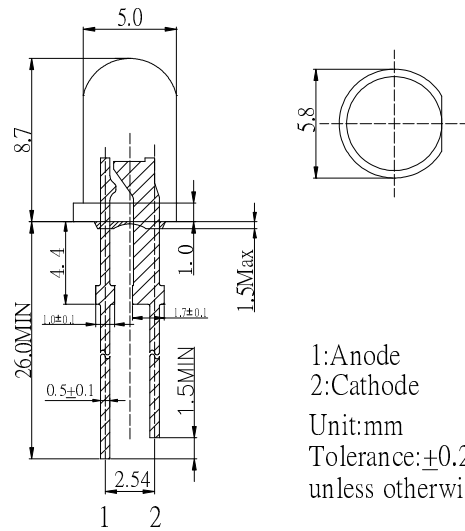
**■ Features**

- High Lumen LEDs
- 5mm Round Standard Directivity
- UV Resistant Epoxy
- Water Clear Type

**■ Applications**

- Electronic Signs and Signals
- Small Area Illuminations
- Back Lighting
- Other Lighting

**■ Outline Dimension**

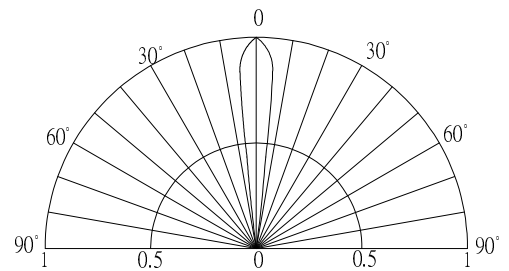


**■ Absolute Maximum Rating**

( $T_a=25^\circ\text{C}$ )

| Item                       | Symbol    | Value                      | Unit             |
|----------------------------|-----------|----------------------------|------------------|
| DC Forward Current         | $I_F$     | 80                         | mA               |
| Pulse Forward Current#     | $I_{FP}$  | 120                        | mA               |
| Reverse Voltage            | $V_R$     | 5                          | V                |
| Power Dissipation          | $P_D$     | 288                        | mW               |
| Operating Temperature      | $T_{opr}$ | -30 ~ +85                  | $^\circ\text{C}$ |
| Storage Temperature        | $T_{stg}$ | -40 ~ +100                 | $^\circ\text{C}$ |
| Lead Soldering Temperature | $T_{sol}$ | 260 $^\circ\text{C}$ /5sec | -                |

**■ Directivity**



#Pulse width Max.10ms Duty ratio max 1/10

**■ Electrical -Optical Characteristics**

( $T_a=25^\circ\text{C}$ )

| Item                       | Symbol          | Condition         | Min.  | Typ.  | Max. | Unit          |
|----------------------------|-----------------|-------------------|-------|-------|------|---------------|
| DC Forward Voltage*1       | $V_F$           | $I_F=75\text{mA}$ | 2.8   | 3.2   | 3.6  | V             |
| DC Reverse Current         | $I_R$           | $V_R=5\text{V}$   | -     | -     | 10   | $\mu\text{A}$ |
| Luminous Flux*2            | $\Phi_v$        | $I_F=75\text{mA}$ | 18    | 20    | -    | lm            |
| Luminous Intensity*3       | $I_v$           | $I_F=75\text{mA}$ | 75000 | 90000 | -    | mcd           |
| Color Temperature*4        | CCT             | $I_F=75\text{mA}$ | 5500  | 6500  | 8500 | K             |
| Chromaticity Coordinates*5 | x               | $I_F=75\text{mA}$ | -     | 0.31  | -    |               |
|                            | y               | $I_F=75\text{mA}$ | -     | 0.34  | -    |               |
| 50% Power Angle            | $2\theta_{1/2}$ | $I_F=75\text{mA}$ | -     | 15    | -    | deg           |

\*1 Tolerance of measurements of forward voltage is  $\pm 0.1\text{V}$

\*2 Tolerance of measurements of Luminous Flux is  $\pm 15\%$

\*3 Tolerance of measurements of luminous intensity is  $\pm 15\%$

\*4 Tolerance of measurements of color temperature is  $\pm 10\%$

\*5 Tolerance of measurements of chromaticity coordinates is  $\pm 10\%$

**InGaN LED**

**TYPICAL ELECTRICAL/OPTICAL CHARACTERISTIC CURVES**

