



3mm Super White LED

OSWT3131A

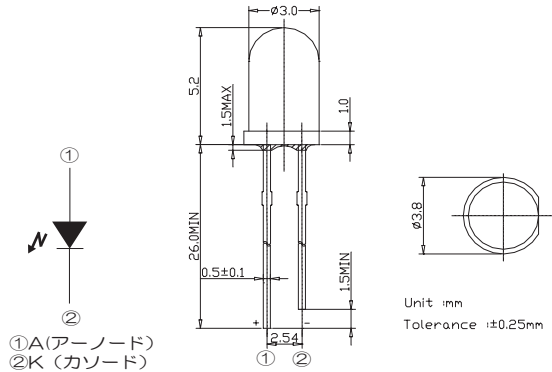
## Features

- High Power LEDs
- 3φ Standard Directivity
- Superior Weather-resistance
- UV Resistant Epoxy

## Applications

- General Purpose Indicators
- Small Area Illuminations
- Back Lighting

## Outline Dimension



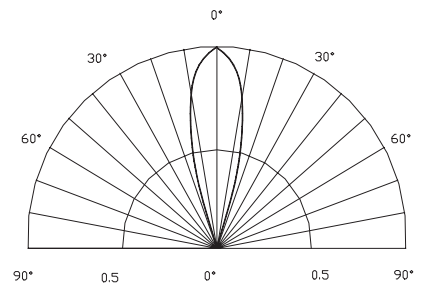
## Absolute Maximum Rating

(Ta=25°C)

Item	Sym	bol	Value	Unit
DC Forward Current	$I_F$	25		mA
Pulse Forward Current*	$I_{FP}$	100		mA
Reverse Voltage	$V_R$	5		V
Power Dissipation	$P_D$	120		mW
Operating Temperature	$T_{opr}$	-20 ~ +75		°C
Storage Temperature	$T_{stg}$	-30 ~ +80		°C
Lead Soldering Temperature	$T_{sol}$	260	°C/3sec	-

\*Pulse width Max.10ms Duty ratio max 1/10

## Directivity



## Electrical-Optical Characteristics

(Ta=25°C)

Item	Sym	bol	Condition	Min.	Typ.	Max	Unit
DC Forward Voltage	$V_F$	$I_F=20mA$		3.0	3.4	4.2	V
DC Reverse Current	$I_R$	$V_R=5V$		-	-	100	μA
Luminous Intensity	$I_v$	$I_F=20mA$		-	2000	-	mcd
Chromaticity Coordinate*	x	$I_F=20mA$		-	0.30	-	
	y	$I_F=20mA$		-	0.31	-	
50% Power Angle	2 1/2	$I_F=20mA$		-	30	-	deg

\*Please refer to CIE 1931 chromaticity diagram.