

■ **Features**

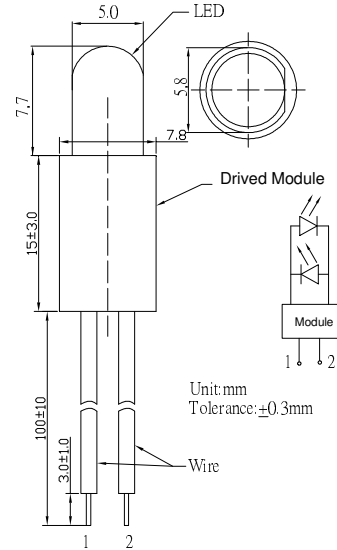
- High Luminous LEDs
- 5mm Round Standard Directivity
- Superior Weather-resistance
- UV Resistant Epoxy
- 110V AC LED
- Water Clear Type

■ **Applications**

- Electronic Signs And Signals
- Other Lighting

■ **Outline Dimension**

参考資料

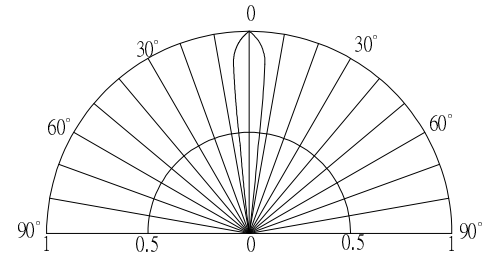


■ **Absolute Maximum Rating**

(Ta=25°C)

Item	Symbol	Value	Unit
AC Voltage	V_i	120	V
AC Current	I	2	mA
Power Dissipation	P_D	120	mW
Operating Temperature	T_{opr}	-30 ~ +85	°C
Storage Temperature	T_{stg}	-30 ~ +85	°C
Lead Soldering Temperature	T_{sol}	260°C/5sec	-

■ **Directivity**



■ **Electrical -Optical Characteristics** (Ta=25°C)

Part Number	Color		I(mA)			I_v (mcd)*			λD (nm)*			2 θ 1/2(deg)
			Min	Typ.	Max.	Min.	Typ.	Max.	Min.	Typ.	Max.	Typ.
			$V_i = 110VAC$			$V_i = 110VAC$						
OSWW425111A-PPW	Cool White	W	1.4	1.8	2.0	3000	4200	5800	X=0.27, Y=0.28			15

*1 Tolerance of chromaticity coordinates is $\pm 10\%$, Tolerance of λd is ± 1 nm.

*2 Tolerance of luminous intensity is $\pm 15\%$