

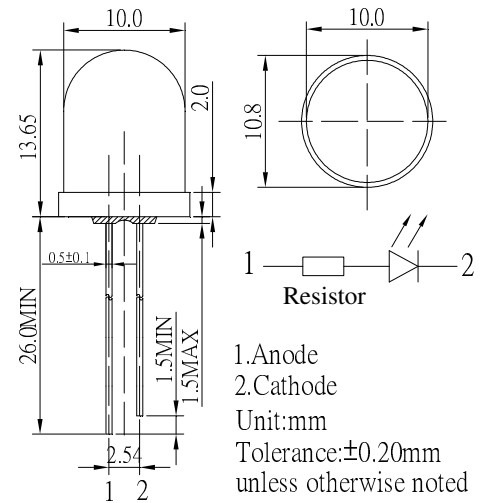
■ Features

- High Luminous LEDs
- 10mm Round Standard Directivity
- UV Resistant Epoxy
- Integral Current Limiting Resistor
- TTL Compatible (Requires No External Current Limiter With 5 Volt Supply)
- Cost Effective (Saves Space and Resistor Cost)
- Color Diffused Type (W/M: White Diffused Type)

■ Applications

- Status Indicators
- Other Lighting

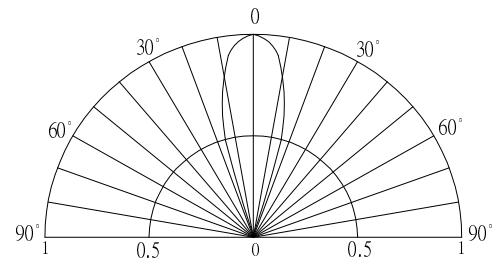
■ Outline Dimension



■ Absolute Maximum Rating (Ta=25°C)

| Item | Symbol | Value | Unit |
|----------------------------|----------------|------------|------|
| DC Forward Voltage | V _F | 7.5 | V |
| Reverse Voltage | V _R | 5 | V |
| Power Dissipation | P _D | 150 | mW |
| Operating Temperature | Topr | -30 ~ +85 | °C |
| Storage Temperature | Tstg | -40~ +100 | °C |
| Lead Soldering Temperature | Tsol | 260°C/5sec | - |

■ Directivity



■ Electrical -Optical Characteristics (Ta=25°C)

| Part Number | Color | | I _F (mA)* | | | I _v (mcd)* | | | λD(nm)* | | | 2θ1/2(deg) |
|----------------|------------|----|----------------------|------|------|-----------------------|------|------|--------------------------------|------|------|------------|
| | | | Min | Typ. | Max. | Min. | Typ. | Max. | Min. | Typ. | Max. | Typ. |
| | | | V _F =5V | | | V _F =5V | | | | | | |
| OSW5DKA132A-5V | White | W | - | 12 | 20 | 1560 | 2180 | - | X=0.27, Y=0.28(CCT:8500-18000) | | | 30 |
| OSM5DKA132A-5V | Warm White | M | - | 12 | 20 | 1120 | 1560 | - | X=0.45, Y=0.41(CCT:2700-3300) | | | 30 |
| OSB5SAA134A-5V | Blue | B | - | 12 | 20 | 750 | 1120 | - | 465 | 470 | 475 | 30 |
| OSG5DAA134A-5V | Pure Green | PG | - | 12 | 20 | 1560 | 2180 | - | 520 | 525 | 530 | 30 |
| OSY5PAA134A-5V | Yellow | Y | - | 12 | 20 | 1120 | 1560 | - | 585 | 590 | 595 | 30 |
| OSO5PAA134A-5V | Orange | O | - | 12 | 20 | 1120 | 1560 | - | 600 | 605 | 610 | 30 |
| OSR5PAA134A-5V | Red | R | - | 12 | 20 | 1120 | 1560 | - | 620 | 625 | 630 | 30 |

*1 Tolerance of measurements of chromaticity coordinates is ±10%
 *2 Tolerance of measurements of dominant wavelength is ±1nm
 *3 Tolerance of measurements of luminous intensity is ±15%
 *4 Tolerance of measurements of forward voltage is ±0.1V