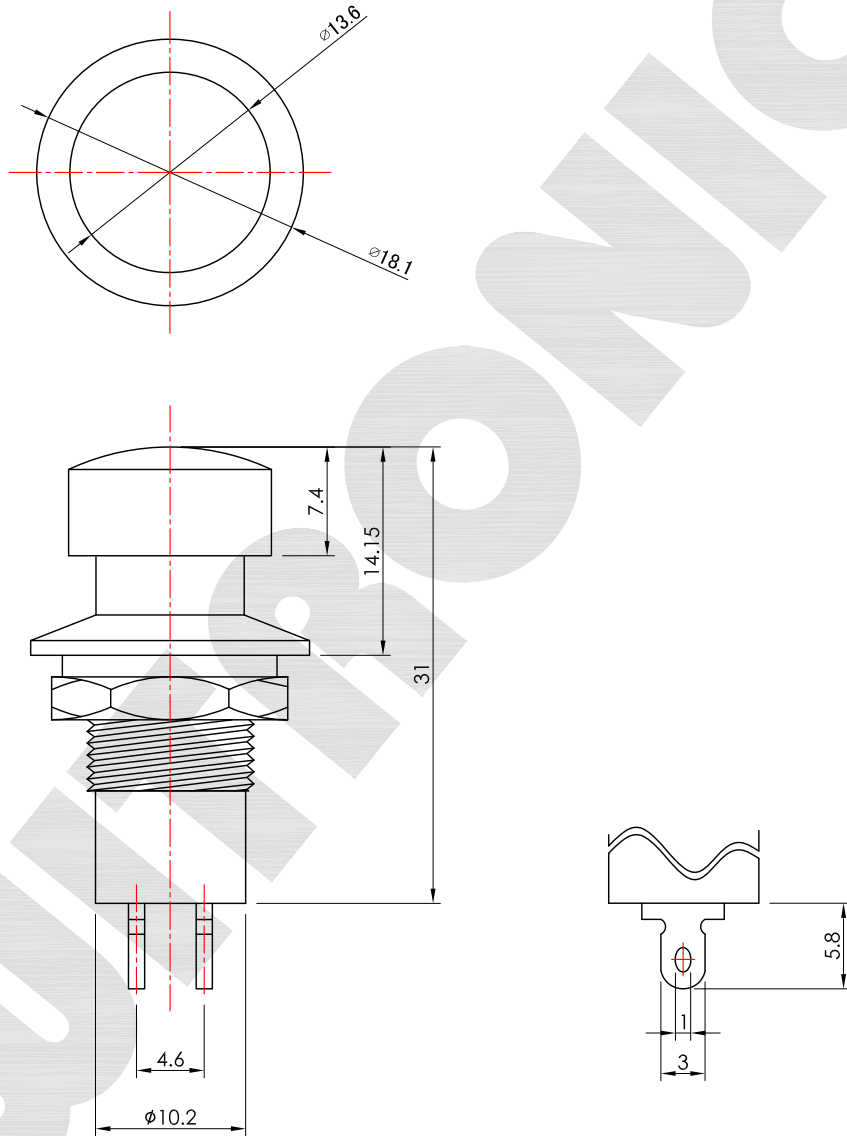




*開關產品未經SWITRONIC同意，請勿拆解，否則無法負品質及安全責任。
 Please do not decompose the switch without any permission from SWITRONIC,
 otherwise the quality and safety responsibility could not be guaranteed.
 *本圖面若與目錄之規格尺寸不符，以本圖面規格尺寸為主。
 Below is our main specification if different from catalog.

RoHS compliant



SPECIFICATION

Rating: 3A 125V AC.
Function: (ON)-OFF.
Contact resistance: 30m Ω Max.(initial)
Insulation resistance: 100M Ω Min. at 500V DC.
Withstand voltage: 1,000V AC for 1 minute.
Operating force: >300g.
Mechanical life: 10,000 Cycles Min.
Electrical life: 5,000 Cycles Min.
Soldering temperature: 240°C Max. for 3 sec.
Soldering time: 1 time only.
Note1: Unwashable, don't be immersed by epoxy and organic solvent.
Note2: Please check the actual size, do not scale the drawing page.
Note3: Please fill the bag and add a desiccant seal to avoid product oxidation, when open the seal of S/W packing.

產品 PRODUCT		Pushbutton Switch		型號 MODEL NO.	PB-11BGN-G
比例 SCALE	2 : 1	單位 UNIT	mm	一綺電子企業股份有限公司 總公司：110 台北市信義路四段415號13樓之3 13F-3 NO. 415, SEC. 4, HSIN YI ROAD, TAIPEI, TAIWAN TEL : 886-2-27290229 (Rep.) FAX : 886-2-27582086 URL : http://www.switronic.com E-MAIL : switches@ms36.hinet.net	
公差 TOLERANCE	.X=±0.3mm, .XX=±0.2mm				
製圖 DRAWN BY	核圖 CHECKED BY	主管 APPROVED BY			
Jfk Huang	Chuck Young	Margaret Lee			