



SPL (HONG KONG) LIMITED

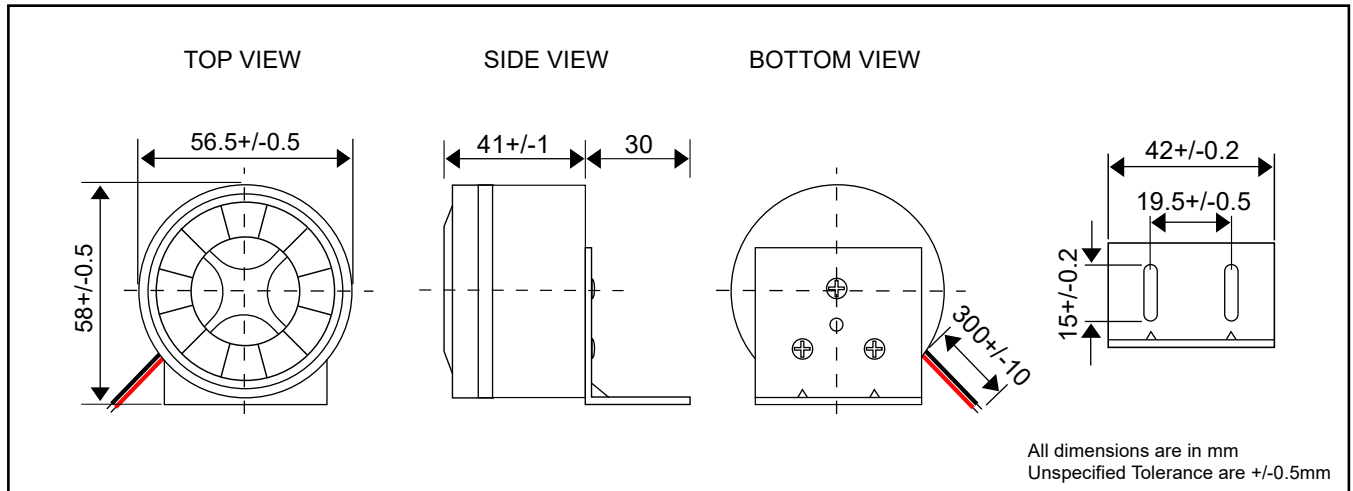
香港九龍觀塘鴻圖道57號南洋廣場17樓1703B室
Room 1703B, 17/F., Nanyang Plaza, No.57 Hung To Road, Kwun Tong, Kowloon, HK.
Tel: 852-2342 6857 / 2342 6867 Fax: 852-2342 6847 Email: sales@spl-hk.com.hk
Website: www.buzzer.com.hk ; www.transducer.com.hk ; www.connector.com.hk



Piezo Buzzer SPB47 series

DIMENSIONS

Date : 02 Jun.,2020



Ref. no. : P112050-R2

Remark : 110 x 165mm Plastic bag, 28 x 40mm label with barcode, A4 size specification



ELECTRICAL SPECIFICATIONS

Model No. (Preliminary)		PB47-Z337R
Operating Voltage	[VDC]	8 ~ 16
Rated Voltage	[VDC]	12
* Max. Rated Current	[mA]	250
* Min. Sound Output	[dBA /100cm]	100
* Frequency	[Hz]	2900 +/- 500
Tone Nature		Fast Pulse Sound
Operating Temperature	[°C]	-20 ~ +70
Storage Temperature	[°C]	-30 ~ +80
Terminal		AWG#22-UL1007 Wire
Housing Material		ABS
Colour		Black
Weight	[gm]	8