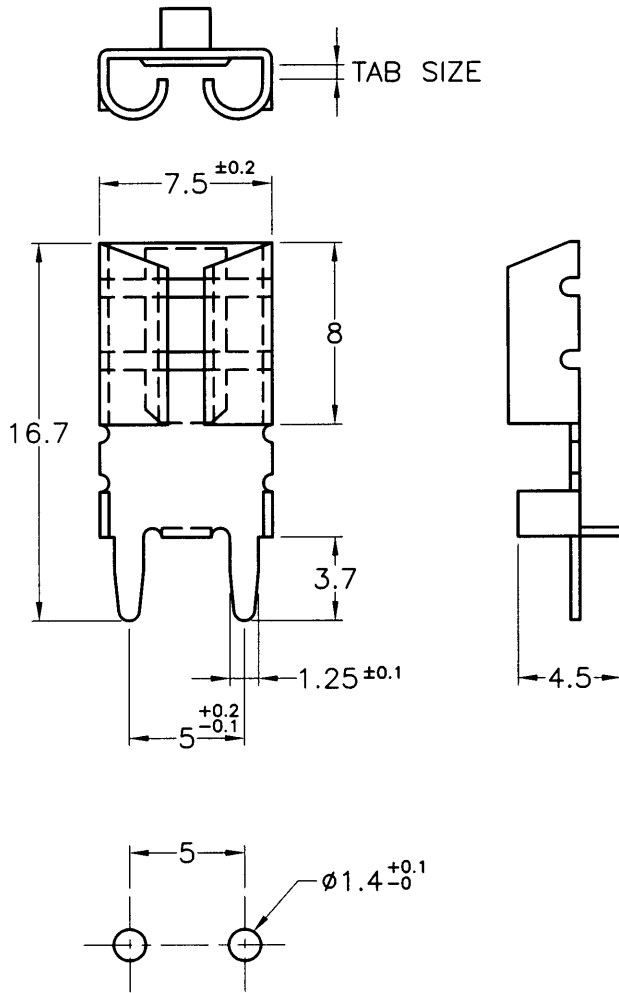



REVISIONS			
REV	DESCRIPTION	DATE	BY



MOUNTING HOLE

TAB SIZE	TERMINAL THICKNESS
0.8x6.35	0.4

 <p>康揚企業股份有限公司 KANG YANG HARDWARE ENTERPRISE CO., LTD. 東莞康揚塑膠五金電子廠 DONG GUAN KANG YANG PLASTIC HARDWARE COMPANY 康哲電腦配件(吳江)有限公司 KANG CHE COMPUTER COMPONENTS(WUJIANG) CO.,LTD.</p>				TITLE	PC板焊接端子	產品規格圖面	
				MATERIAL	BRASS	DATE	1999.04.22
				FINISH	TIN PLATED	DRAWN	林秀儉
				COLOR		CHECK	許哲嘉
PART NUMBER	PCFS250L	DRAWING NUMBER	PCFS250L	UNLESS OTHERWISE SPECIFIED TOLERANCE	±0.3	APPROVED	Kang
SIZE	A4	SCALE	3:1	UNIT	mm	REV	A