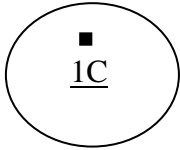




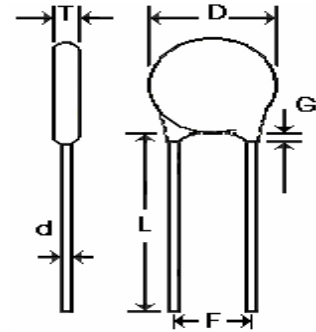
## DISC CERAMIC CAPACITOR

**Part No. : RDDC1R0C1H5L1**

**MECHANICAL :**

- Thickness (T) : 3.5 mm Max.
- Lead Diameter : 0.52 mm ± 0.05 mm
- Soldering Test : 260 °C ± 5 °C
- Pulling Test : 2 KG
- Marking : 

**CP Wire**



**ELECTRICAL :**

- Capacitance : 1PF
- Capacitance Tolerance : + - 0.25 PF
- Q or ~~DF~~ : CAP. ≥ 30PF; Q ≥ 1000
- : CAP. < 30PF; Q ≥ 400+20C

External Dimensions ( D )	5mm ± 1mm
Lead Spacing ( F )	5mm ± 0.8mm
Thickness ( T )	3.5mm Max.
Lead Length ( L )	25mm ± 3mm
Lead Diameter ( d )	0.52mm ± 0.05mm
Lead Coating ( G )	1.5mm Max.

- Insulation Resistance : ≥ 10000MΩ
- Working Voltage : 50 V DC
- Dielectric Withstanding : 150 V DC for 1~5 sec

**Temperature Characteristic :**

According to EIA NPO The Capacitance change of  $0 \pm 60$  PPM/°C  
 between the temperature range of  $-25$  °C ~  $+85$  °C

**TESTING INSTRUMENTS :**

1. TEMPERATURE COMPENSATING TYPE : HP4278A
2. HIGH DIELECTRIC TYPE : HP4265A

**TESTING CONDITIONS :**

- Testing Frequency : 1MHz
- Testing Voltage : 1.0Vrms

\* Remarks: Withstand voltage below 100VDC, all need to comply with the manufacturing specifications of Coating's non-leakable silver electrode