



SUPERTECH ELECTRONIC CO., LTD.

DISC CERAMIC CAPACITOR

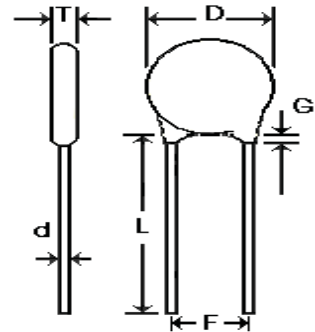
Part No. : RDDC5R0C1H5L1

MECHANICAL :

Thickness (T) : 3.5 mm Max.
 Lead Diameter : 0.45 mm ± 0.05 mm
 Soldering Test : 260 °C ± 5 °C
 Pulling Test : 2 KG

Marking : 

CP Wire



ELECTRICAL :

Capacitance : 5PF
 Capacitance Tolerance : + - 0.25 PF
 Q or ~~DF~~ : CAP. ≥ 30PF; Q ≥ 1000
 : CAP. < 30PF; Q ≥ 400+20C

External Dimensions (D)	5mm ± 1mm
Lead Spacing	5mm ± 0.8mm
Thickness	3.5mm Max.
Lead Length	25mm ± 3mm
Lead Diameter	0.45mm ± 0.05mm
Lead Coating	1.5mm Max.

Insulation Resistance : ≥ 10000MΩ
 Working Voltage : 50 V DC
 Dielectric Withstanding : 150 V DC for 1~5 sec

Temperature Characteristic :

According to EIA NPO The Capacitance change of 0 ± 60 PPM/°C
 between the temperature range of - 25 °C ~ + 85 °C

TESTING INSTRUMENTS :

- 1 . TEMPERATURE COMPENSATING TYPE : HP4278A
- 2 . HIGH DIELECTRIC TYPE : HP4265A

TESTING CONDITIONS :

Testing Frequency : 1MHz
 Testing Voltage : 1.0Vrms

* Remarks: Withstand voltage below 100VDC, all need to comply with the manufacturing specifications of Coating's non-leakable silver electrode

DATE : 2021/5/14
 APPROVER : Sally Hsu