



DISC CERAMIC CAPACITOR

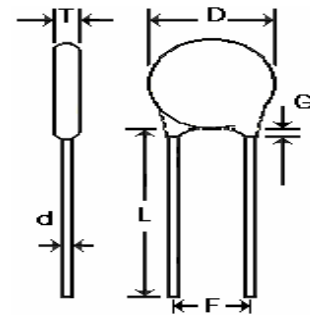
Part No. : RDDE222M1H5L1

MECHANICAL :

Thickness (T) : 3.5 mm Max.
 Lead Diameter : 0.52 mm ± 0.05 mm
 Soldering Test : 250 °C ± 5 °C
 Pulling Test : 2 KG

Marking :

CP Wire



ELECTRICAL :

Capacitance : 2200PF
 Capacitance Tolerance : + - 20 %
 ⌀ or DF : 0.025 Max.

External Dimensions (D)	5mm ± 1mm
Lead Spacing (F)	5mm ± 0.8mm
Thickness (T)	3.5mm Max.
Lead Length (L)	25mm ± 3mm
Lead Diameter (d)	0.52mm ± 0.05mm
Lead Coating (G)	1.5mm Max.

Insulation Resistance : ≥ 10000MΩ
 Working Voltage : 50 V DC
 Dielectric Withstanding : 125 V DC for 1~5 sec

Temperature Characteristic :

According to EIA Z5U The Capacitance change of + 22 - 56 %
 between the temperature range of + 10 °C ~ + 85 °C

TESTING INSTRUMENTS :

- 1 . TEMPERATURE COMPENSATING TYPE : hp 4278A
- 2 . HIGH DIELECTRIC TYPE : hp 4265A

TESTING CONDITIONS :

Testing Frequency : 1MHz
 Testing Voltage : 1.0Vrms

*Remarks: Withstand voltage below 100VDC, all need to comply with the manufacturing specifications of Coating's non-leakable silver electrode