



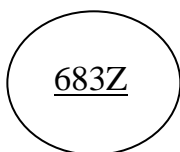
# SUPERTECH ELECTRONIC CO., LTD.

## DISC CERAMIC CAPACITOR

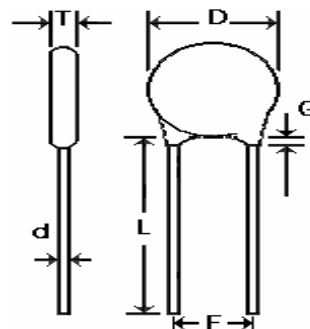
**Part No. : RDDF683Z1H5L1**

**MECHANICAL :**

- Thickness (T) : 3 mm Max.
- Lead Diameter : 0.52 mm ± 0.05 mm
- Soldering Test : 250 °C ± 5 °C
- Pulling Test : 2 KG
- Marking :



**CP Wire**



**ELECTRICAL :**

- Capacitance : 0.068UF
- Capacitance Tolerance : + 80 - 20 %
- Q or DF : 0.05 Max.

External Dimensions ( D )	5mm ± 1mm
Lead Spacing ( F )	5mm ± 0.8mm
Thickness ( T )	3mm Max.
Lead Length ( L )	25mm ± 3mm
Lead Diameter ( d )	0.52mm ± 0.05mm
Lead Coating ( G )	2.0mm Max.

- Insulation Resistance : ≥ 1000MΩ
- Working Voltage : 50 V DC
- Dielectric Withstanding : 100 V DC for 1~5 sec

**Temperature Characteristic :**

According to EIA Y5V The Capacitance change of + 22 - 82 %  
between the temperature range of - 25 °C ~ + 85 °C

**TESTING INSTRUMENTS :**

- 1 . TEMPERATURE COMPENSATING TYPE : hp 4278A
- 2 . HIGH DIELECTRIC TYPE : hp 4265A

**TESTING CONDITIONS :**

- Testing Frequency : 1MHz
- Testing Voltage : 1.0Vrms

\* Remarks: Withstand voltage below 100VDC, all need to comply with the manufacturing specifications of Coating's non-leakable silver electrode

DATE : 2021/5/14  
APPROVER : Sally Hsu