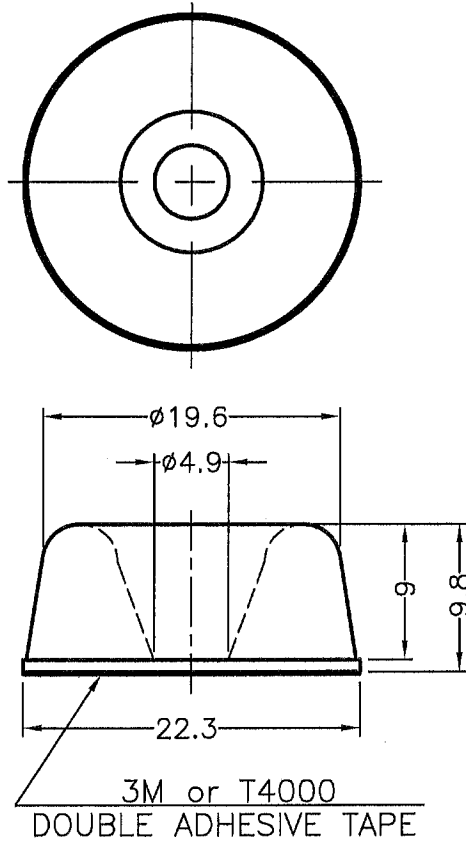


REVISIONS			
REV	DESCRIPTION	DATE	BY



NOTE: Height include adhesive tape , not include release paper.

PART NO.	MATERIAL	COLOR
RF-018	RUBBER(NR)	BLACK
RF-018(W)		WHITE
RF-018NP	NEOPRENE	BLACK

				TITLE	RUBBER FOOT	SPEC. DWG.	
				MATERIAL	SEE ABOVE	DATE	2004.05.07
				FINISH		DRAWN	JASON
				COLOR	SEE ABOVE	CHECK	
PART NUMBER	SEE ABOVE	DRAWING NUMBER	RF-018H	UNLESS OTHERWISE SPECIFIED TOLERANCE	±0.4	APPROVED	
SIZE	A4	SCALE	2:1	UNIT	mm	REV	C