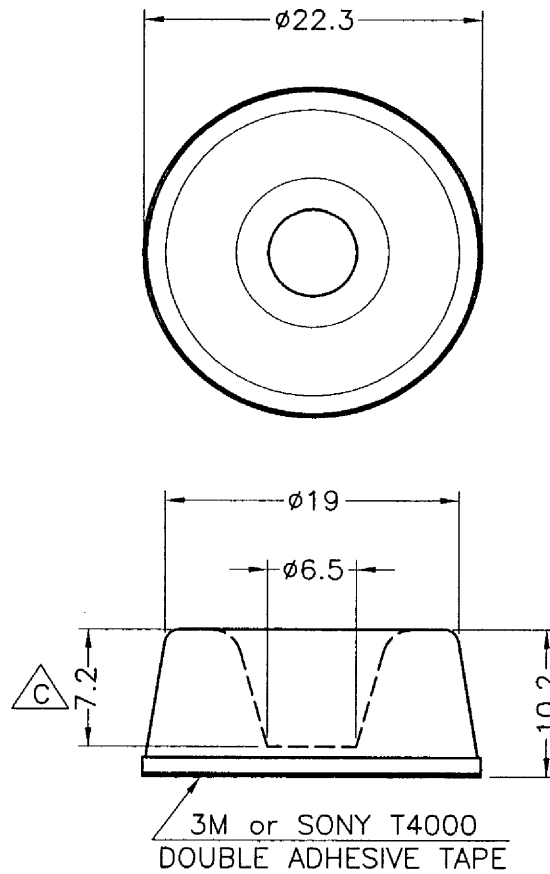
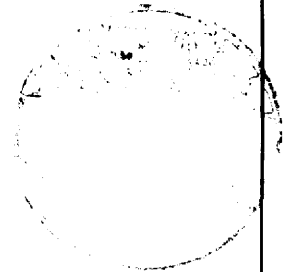



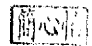
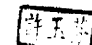
REVISIONS			
REV	DESCRIPTION	DATE	BY
B	RF-029I(C) CHANGE RF-029I(G)	2005.06.22	James
C	尺寸 7 CHANGE 7.2	2005.10.24	TRACY



註:高度不含離型紙厚度

PART NO.	MATERIAL	COLOR
RF-029	RUBBER	BLACK
RF-029I	SILICON RUBBER	BLACK
RF-029I(T)	SILICON RUBBER	TRANSPARENT
RF-029I(G)	SILICON RUBBER	GRAY
RF-029P	PU	BLACK



 康揚企業股份有限公司 KANG YANG HARDWARE ENTERPRISE CO., LTD. 東莞康揚塑膠五金電子廠 DONG GUAN KANG YANG PLASTIC HARDWARE COMPANY 康哲電腦配件(吳江)有限公司 KANG CHE COMPUTER COMPONENTS(WUJIANG) CO.,LTD.			TITLE	自黏腳墊	產品規格圖面
			MATERIAL	SEE ABOVE	DATE
PART NUMBER			FINISH	DRAWN	S.J.C.
DRAWING NUMBER			COLOR	CHECK	
SIZE	SCALE	UNIT	REV	UNLESS OTHERWISE SPECIFIED TOLERANCE	APPROVED
A4	NONE	mm	C	±0.5	
SEE ABOVE			RF-029		