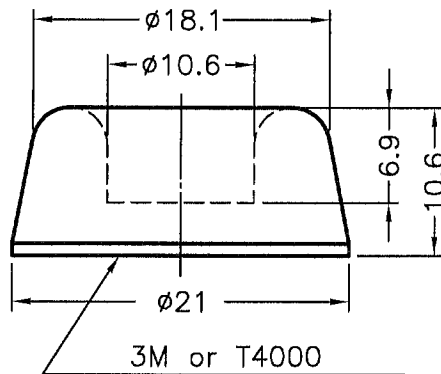
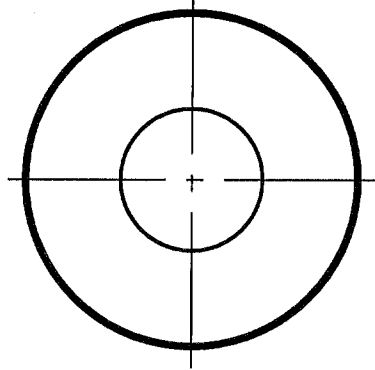


REVISIONS			
REV	DESCRIPTION	DATE	BY



3M or T4000
DOUBLE ADHESIVE TAPE

註: 高度不含離型紙厚度

PART NO.	MATERIAL	COLOR
RF20-10	RUBBER	BLACK
RF20-10I	SILICON RUBBER	BLACK
RF20-10I(T)	SILICON RUBBER	TRANSPARENT
RF20-10NP	NEOPRENE (聚氣丁二稀橡膠)	BLACK

<p>康揚企業股份有限公司 KANG YANG HARDWARE ENTERPRISE CO., LTD. 康揚塑膠(東莞)有限公司 KANG YANG PLASTIC(DONG GUAN) CO., LTD. 康哲電腦配件(吳江)有限公司 KANG CHE COMPUTER COMPONENTS(WUJIANG) CO., LTD.</p>	TITLE 自黏腳墊		產品規格圖面	
	MATERIAL SEE ABOVE		DATE 2004.10.13	
	FINISH		DRAWN <i>Jamse</i>	
	COLOR SEE ABOVE		CHECK	
PART NUMBER SEE ABOVE	DRAWING NUMBER RF20-10		UNLESS OTHERWISE SPECIFIED TOLERANCE ±0.4	
SIZE A4	SCALE NONE	UNIT mm	REV C	APPROVED