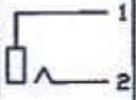
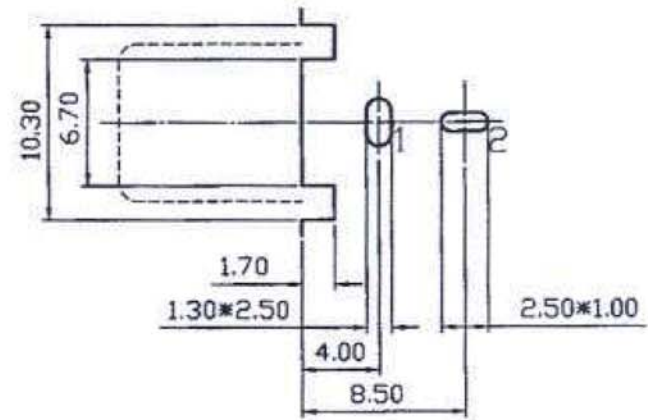
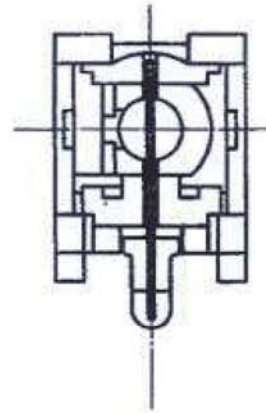
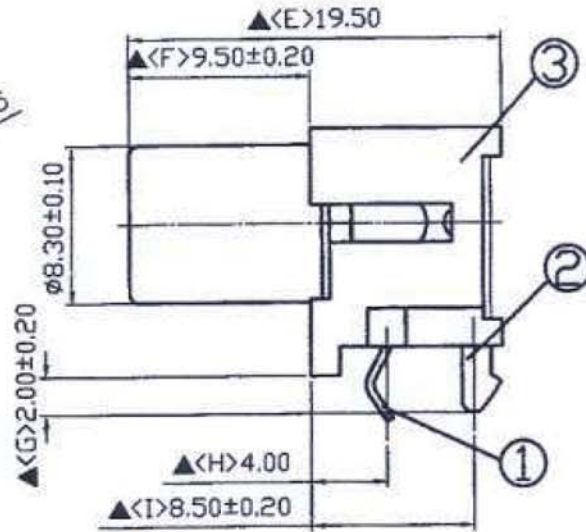
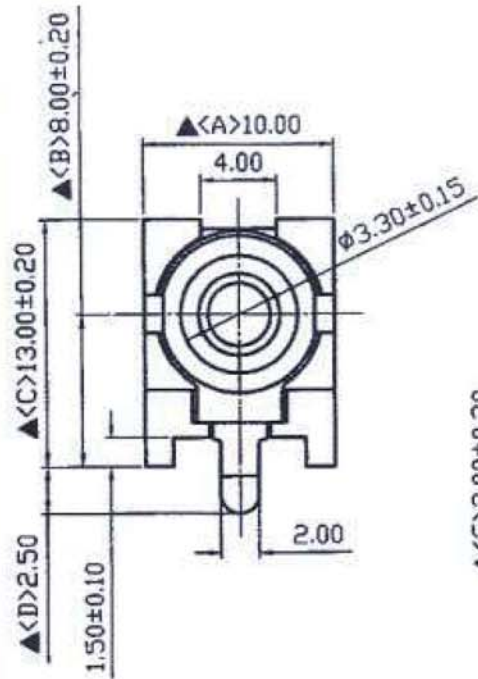
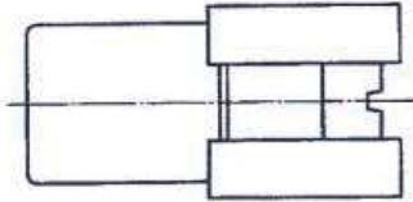


RJ-2410N 寸法図

SCHEMATIC	
MODEL NO	U



Pin Hole Layout
(Jack Bottom View)

参考資料

DIMENSIONS ARE IN MILLIMETERS

- 0.5-5 = +/- 0.2
- 5-30 = +/- 0.4
- 30-120 = +/- 0.6
- 120-315 = +/- 1
- 315-1000 = +/- 1.6
- 1000-2000 = +/- 2.4

3	HOUSING	PBT	1	
2	PIN	0.6T BRASS	1	SILVER
1	EARTH TERMINAL(BARREL)	0.4T BRASS	1	NICKEL