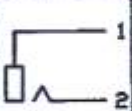
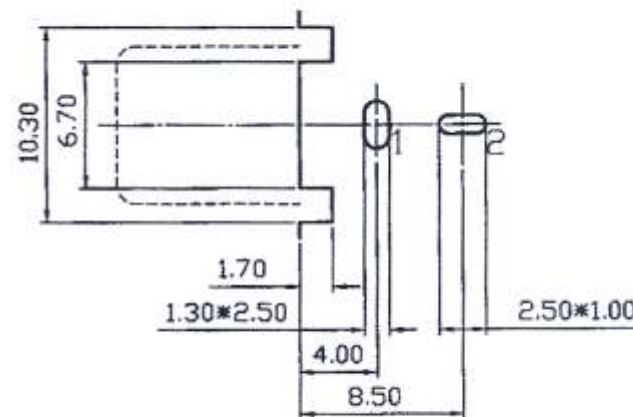
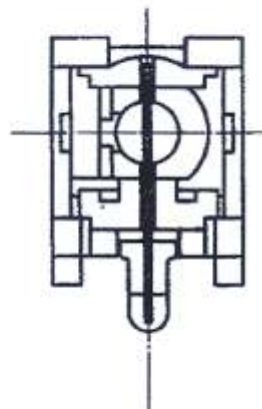
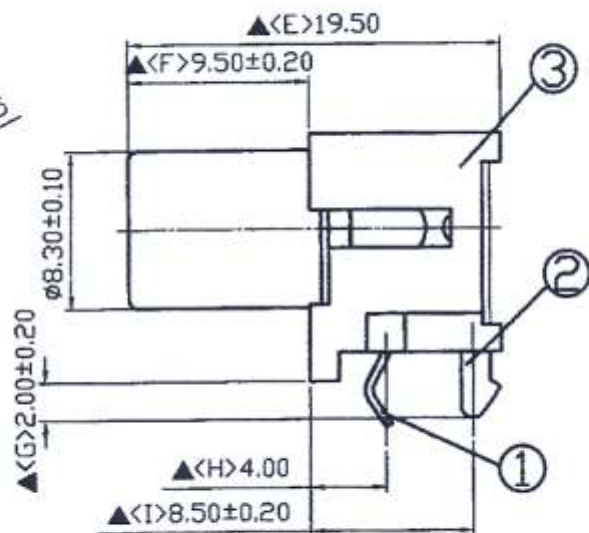
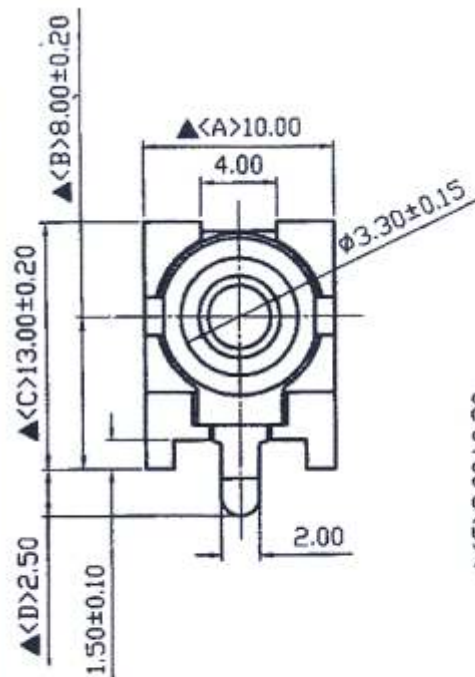
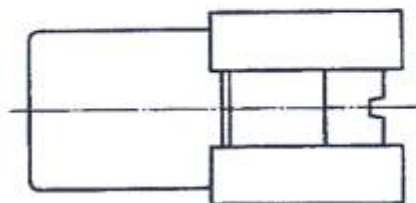


DIMENSIONS ARE IN MILLIMETERS

0.5-5 = +/- 0.2
 5-30 = +/- 0.4
 30-120 = +/- 0.6
 120-315 = +/- 1
 315-1000 = +/- 1.6
 1000-2000 = +/- 2.4

SCHEMATIC	
MODEL NO	U



Pin Hole Layout
(Jack Bottom View)

RoHS COMPLIANT

APPROVED BY :



UNITED AU-VI CO., LTD.

Description: RCA JACK - P.C.B MOUNT, RED

Part No.: RJ-2410N/R

ULTIMAX
THE ULTIMATE ELECTRONIC COMPONENTS

3	HOUSING	PBT	1	RED
2	PIN	0.6T BRASS	1	SILVER
1	EARTH TERMINAL(BARREL)	0.4T BRASS	1	NICKEL
NO.	DESCRIPTION	MATERIAL	Q'TY	FINISH

Date: MAR 31 2008

File No.: SCP625UNS200000G