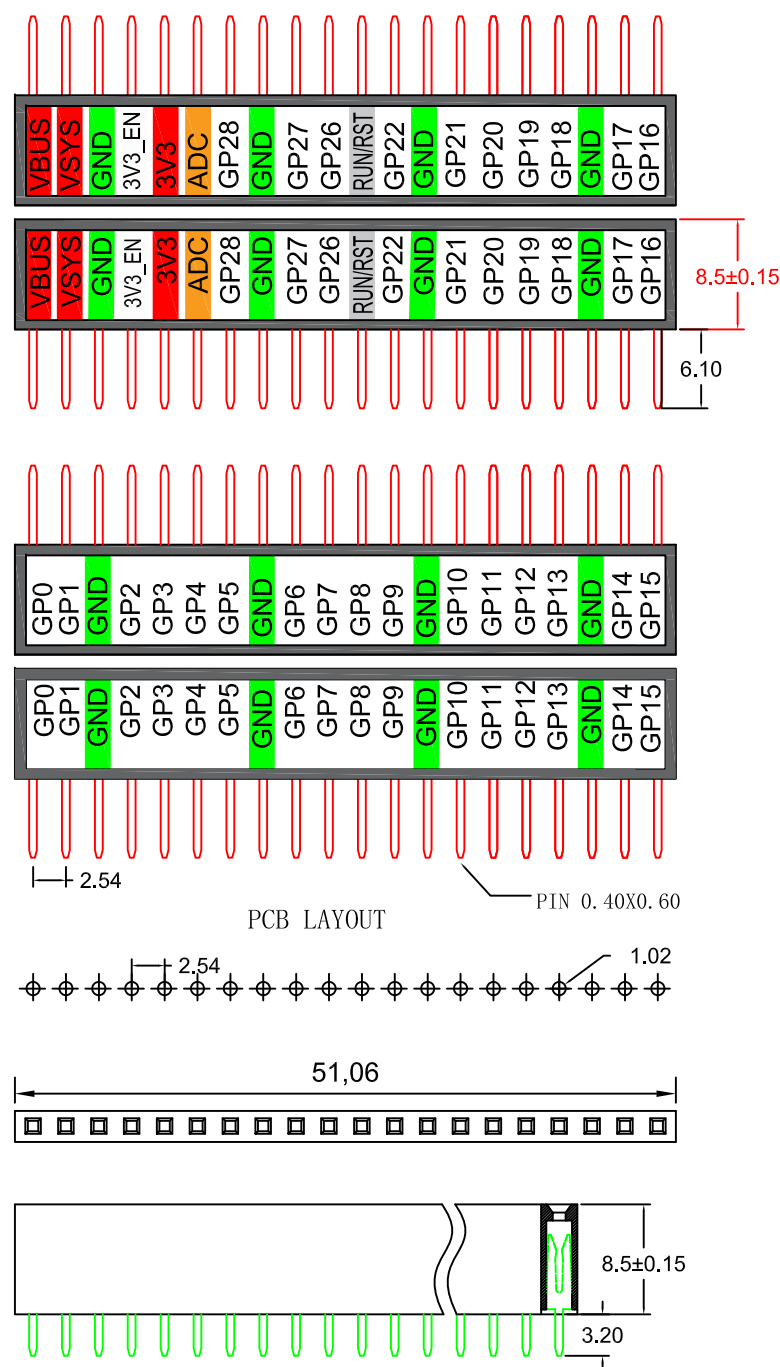


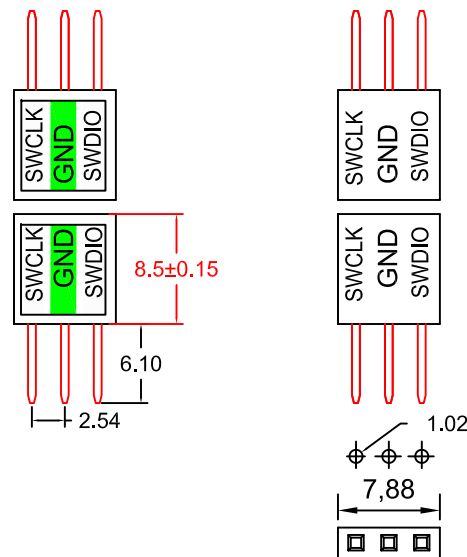
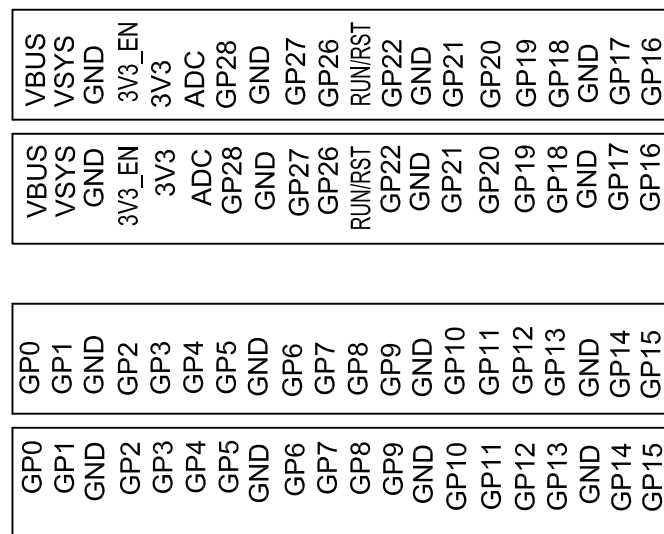


Raspberry Pi PICO Color



Part No.	L
FH-1x20-Co-S	3.2mm
FH-1x20-Co-Sm	6.1mm
FH-1x3-Co-S	3.2mm
FH-1x3-Co-Sm	6.1mm

Raspberry Pi PICO Monochrome



Material :

Insulator: UL94V-0,Black

Contacts: Brass

Finish:

Contact Plating:

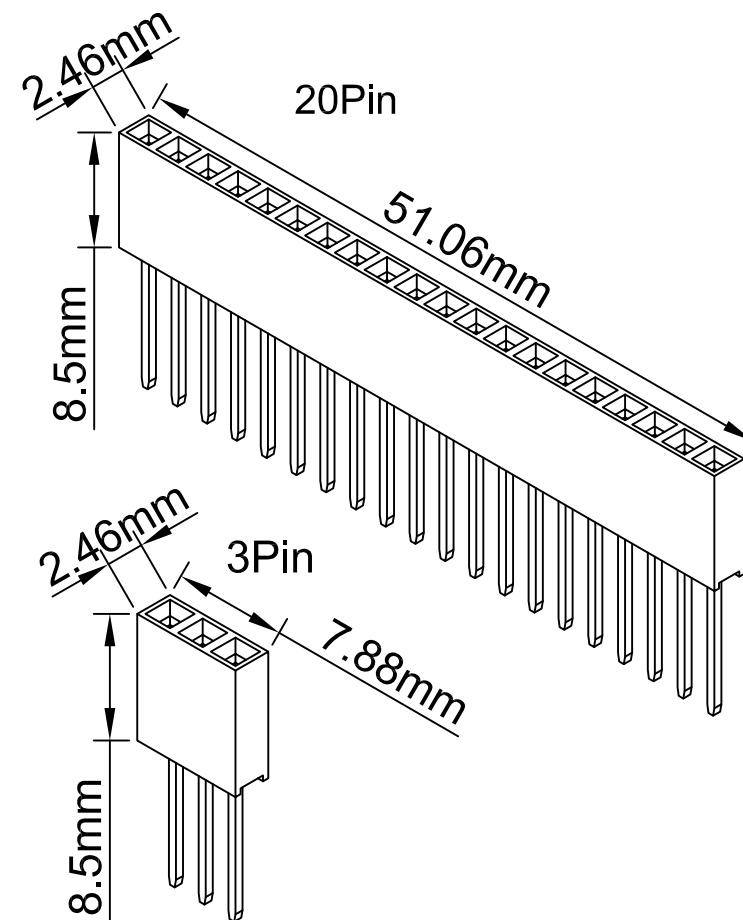
1U" Au over 50u"Ni

Color:

Monochrome printing = W

Color printing = Co

Rev	Description	Date
0	New release	22/10/20



Specification:

Contact Resistance:20mΩ Max.

Insulator Resistance:1000MΩ Min.

Withstanding Voltage:AC 1000V

Currrnt Rating:3 AMP

Operating Temperature:-40℃ to +105℃

RONMEE

榮國工業股份有限公司
Ronmee Industrial Corpotion

Tolerance Angle $\pm 5^\circ$ > 10±0.30 < 10±0.25 < 3±0.1	Projection		2.54mm Female Header for Rasberry Pi Pico, 1x20p, 1x3p Straight, Tail 3.2mm ∅ 6.1mm	
	Date:	2022/10/20		
	Drawn:	WU	P/N : FH-1×20(3.2), FH-1×20(6.1), FH-1×3 (3.2) FH-1×3 (6.1)	
	Checked:	C.L.Jang		
Approved:	R.X.Lin	Unit: mm	Scale: 1:1	Size: A4