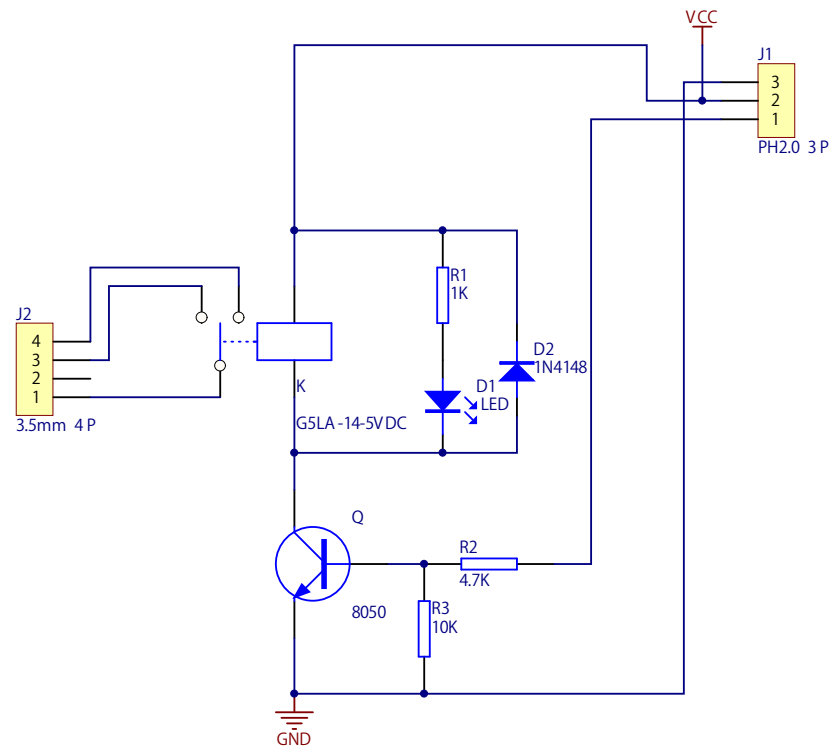


# 參考資料



Title		Relay Module	
Size	A4	Revision	V3
Date:			

Comment	Description	Designator	Footprint	LibRef	Quantity
LED	赤色LED	D1	LED-0603	LED	1
1N4148	1N4148	D2	E3216-18	DIODE	1
PH2.0 3P	Connector	J1	S3B_PH	CON3	1
3.5mm 4P	3.5mm m 4P	J2	POWER3.96X2	CON4	1
G5LA-14-5VDC	JQC-3FF	K	G5LA-14-5VDC	RELAY-SPDT	1
8050	NPN Transistor	Q	SOT23	NPN	1
1K	1K	R1	R0603	RES2	1
4.7K	4.7K	R2	R0603	RES2	1
10K	10K	R3	R0603	RES2	1