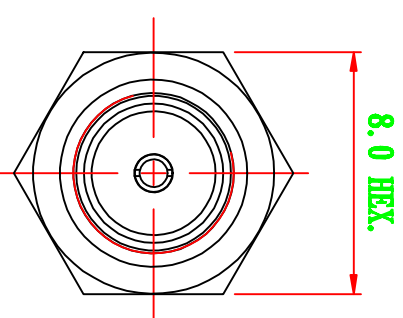
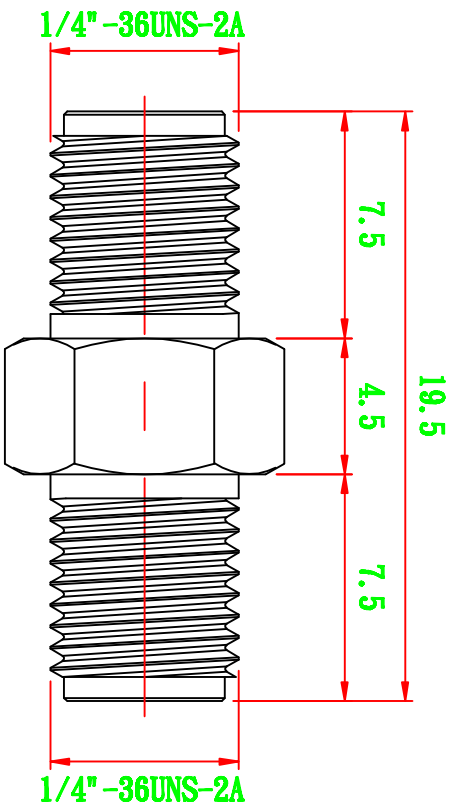




RF / Microwave
Connectors

Professional Manufacturer



Dimensions Are In Millimeters
Unless Otherwise Specified Tolerances



COSMTEC RESOURCES CO., LTD

0.5-6 =	± 0.2
6-30 =	± 0.4
30-120 =	± 0.6
120-315 =	± 1.0
315-1000 =	± 1.6
1000-2000 =	± 2.4

DRAFT	圖號	Part No
CHECKED	圖名	Title
APPROVED	Date	日期

S-006-18HP

SMA JACK TO JACK T.G.N. (0~18GHz)

FEB/25/2010

比	Scale	單	Unit	版	Rev
例	4:1	位	m/m	次	A

NO	Description	Material	Finish
1	Body	Brass	Nickel
2	Insulator	Teflon	—
3	Contact	P.H Bronze	Gold

Copy Right Is Reserved By COSMTEC RESOURCES CO., LTD and Copy Is Prohibited(智慧財產權 未經授權請勿抄襲翻印)