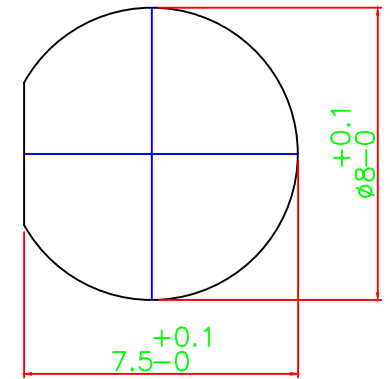


RECOMMENDED MOUNTING HOLE



NO	Description	Material	Finish
1	Body	Brass	Gold
2	Insulator	Teflon	-
3	Contact	BeCu	Gold
4	Insulator	Teflon	-
5	Insulator	POM	-
6	Washer	Brass	Gold
7	Nut	Brass	Gold

Dimensions Are in Millimeters
Unless Otherwise Specified
Tolerances

0.5-6	= ± 0.2
6-30	= ± 0.4
30-120	= ± 0.6
120-315	= ± 1.0
315-1000	= ± 1.6
1000-2000	= ± 2.4

ROHS COMPLIANT

COSMTEC COSMTEC RESOURCES CO., LTD

DRAFT	CHECKED	APPROVED
-------	---------	----------

The Drawing Contains Information That Is Proprietary To Cosmtec Resources Co., Ltd And Should Not Be Used Without Written Permission. www.cosmtec.com

Part No.	S-0311F-TGG
Title:	SMA JACK BULKHEAD TO JACK ISOLATOR ADAPTER
DATE:	JAN/10/2022
SCALE:	1:1
UNIT	m/m
REV	A