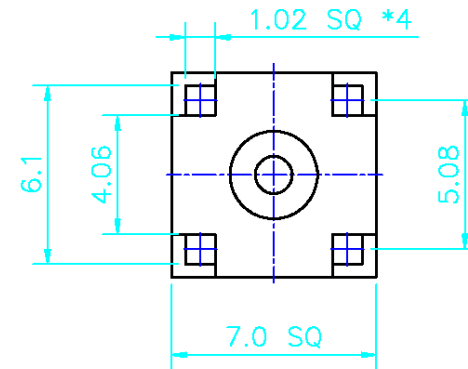
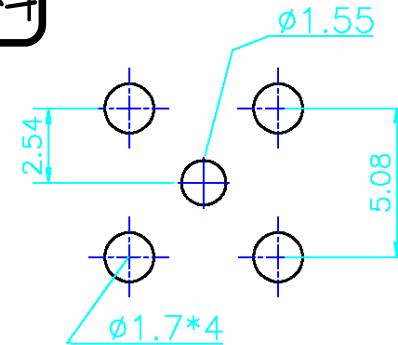
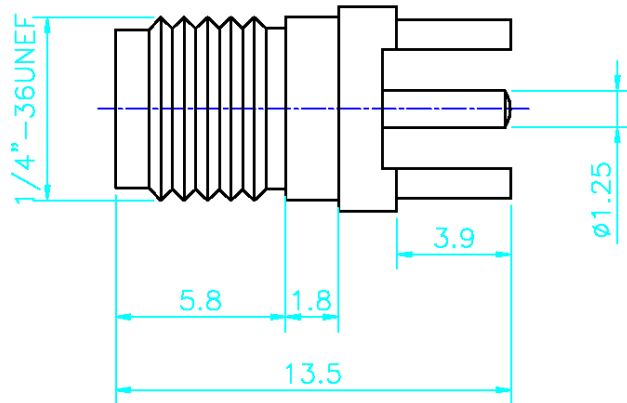


參考資料



NO	Description	Material	Finish
1	Body	Brass	Gold
2	Insulation	Teflon	-
3	Contact	P.H Bronze	Gold
4	Washer	Brass	Gold

Dimensions Are In Millimeters Unless Otherwise Specified Tolerances		COSMTEC RESOURCES CO., LTD	
0.5-8 = ± 0.2 8-30 = ± 0.4 30-120 = ± 0.6 120-315 = ± 1.0 315-1000 = ± 1.6 1000-2000 = ± 2.4	DRAW	Part No	S-036
	CHECKED	Title	SMA JACK PCB MOUNT T.G.G
	APPROVED	Date	AUG/07/2008
		日期	
		比例	Scale 4.0:1
		單位	Unit m/m
		版次	Rev A
Copy Right Is Reserved By COSMTEC RESOURCES CO., LTD and Copy Is Prohibited(智慧財產權 未經授權請勿抄襲翻印)			