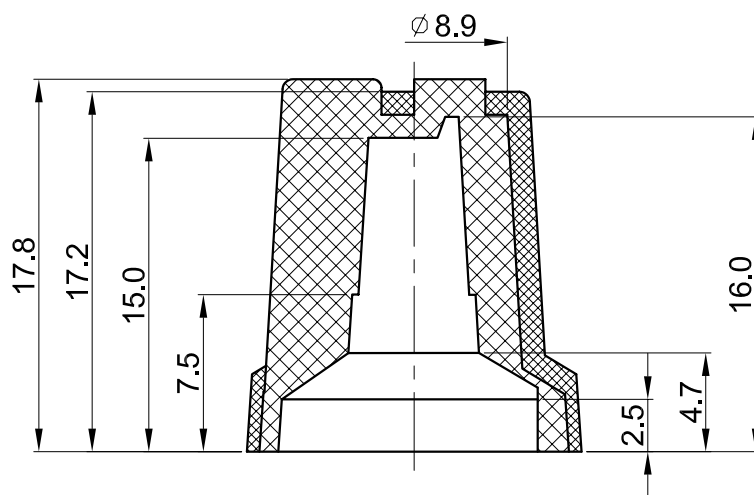
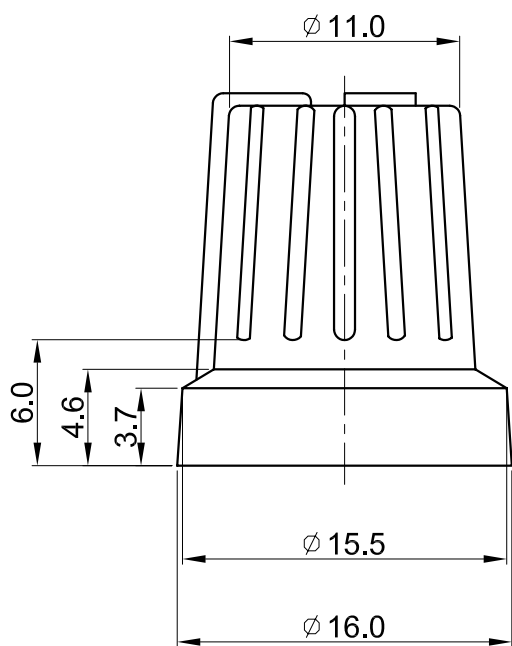
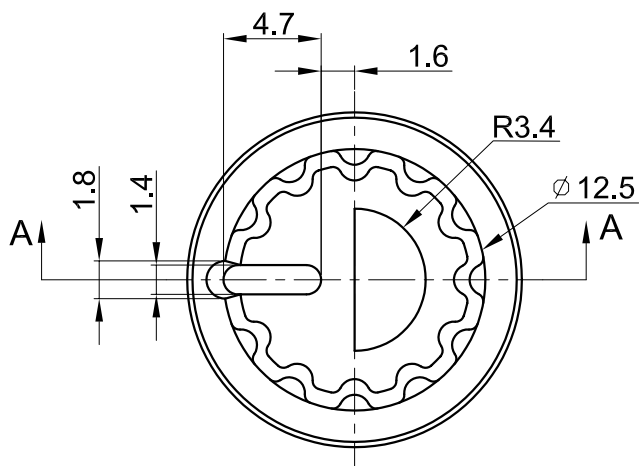


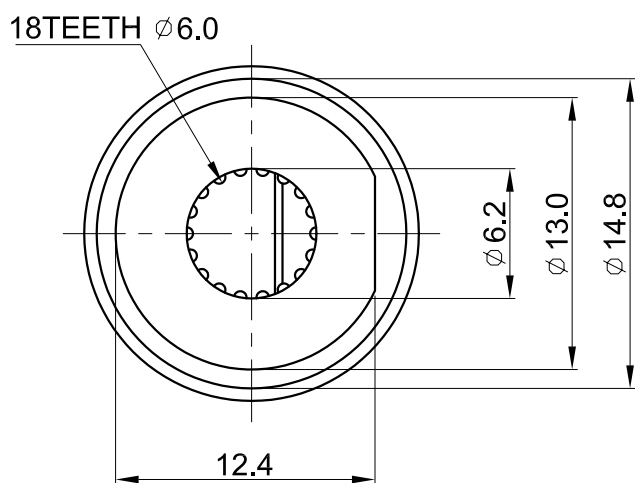
# 參考資料

NOTE:

OTHER TOLERANCES	
less than 6	±0.10
above 6-18	±0.20
above 18-50	±0.25
above 50-125	±0.30



DETAIL A-A



MODEL NAME	COLOR OF KNOB	INDICATOR LINE COLOR
S-R-16x18-AXB-T4P-G	GRAY	BLUE
S-R-16x18-AXR-T4P-G		RED
S-R-16x18-AXP-T4P-G		DEEPPINK
S-R-16x18-AXG-T4P-G		GREEN
S-R-16x18-AXY-T4P-G		YELLOW
S-R-16x18-AXW-T4P-G		WHITE
S-R-16x18-AXO-T4P-G		ORANGE
S-R-16x18-KXG-T4P-G	BLACK	GREEN
S-R-16x18-KXB-T4P-G		BLUE
S-R-16x18-KXA-T4P-G		GRAY
S-R-16x18-KXY-T4P-G		YELLOW
S-R-16x18-KXP-T4P-G		DEEPPINK
S-R-16x18-KXW-T4P-G		WHITE
S-R-16x18-KXR-T4P-G		RED
S-R-16x18-KXO-T4P-G	ORANGE	

2012.8.1	增加顏色	Third Angle Projection
2011.9.14	品名更改, 原: R-16x18-□-T2□-1A	
2007.11.8	品名更改, 原: TP63-77	
2003.6.10	首次出圖	

MODEL NAME:	S-R-16x18-KXG-T4P-G
DRAWING NO.	TPK-007
CODE NO.	
PATH:	KNOB/PART

MATERIAL	APPROVED SIGNATURES	DRAWN BY	CHECKED BY	APPROVED BY	UNIT	m/m	SCALE	1 / 1
FINISHING								
TOLERANCES								
VERSION	D	2012.8.1	2012.8.1	2012.8.1				