

## Fresnel Lens



Fresnel lens arrays designed for Passive Infrared Sensor. The optical surface increases lens sensitivity for PIR sensor application.

## Model: S9003

## Specification

Overall size: 22.7\*22.7mm

Focal length: 10.5mm

Detectable distance: 5m

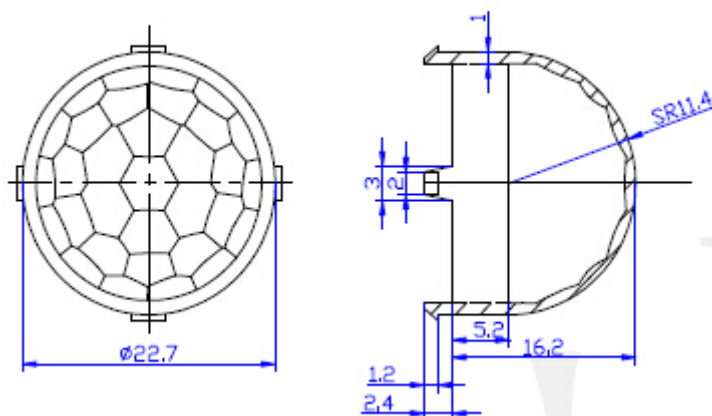
Viewing angle: 100°

Color: Transparent

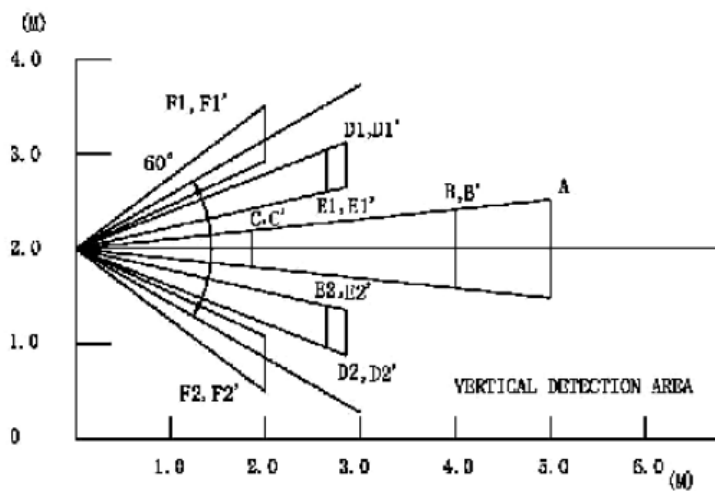
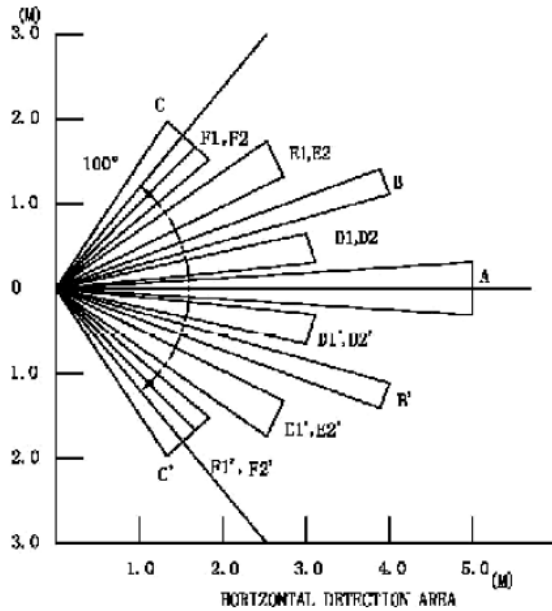
Material: HDPE

4pins

## Dimension (Unit=mm)



**Detecting Area(Unit: meter)**



SENBA OPTOELECTRONIC NANYANG SENBA OPTICAL AND ELECTRONIC CO. LTD. SHENZHEN BRANCH

**Add :** 2<sup>nd</sup> Floor, No.4 Building, Huawan Industry Zone, Gushu, Xixiang Street ,  
Bao'an Dist., ShenZhen City China

**Website:** [www.nysenba.com](http://www.nysenba.com)

**E-mail :** [lily@sbcde.com.cn](mailto:lily@sbcde.com.cn)

**Tel :** 86-755-82594732, 82591709, 82591786, 82591705, 82591635

**Fax :** 86-755-82594762