

Fresnel Lens



Fresnel lens arrays designed for Passive Infrared Sensor. The optical surface increases lens sensitivity for PIR sensor application.

Model: S9004

Specification

Overall size: 23*23mm

Focal length: 10.5mm

Detectable distance: 10m

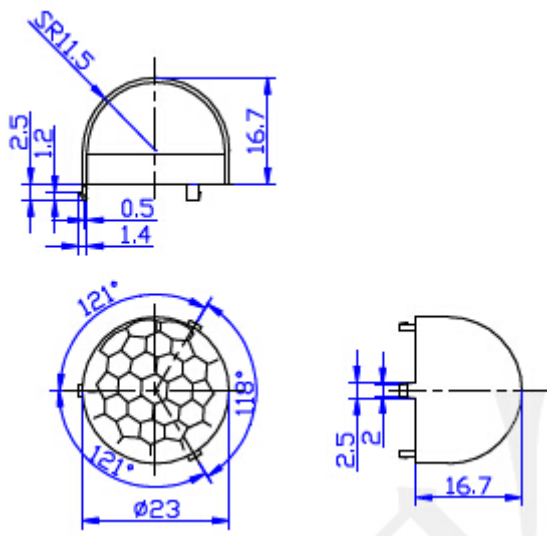
Viewing angle: 100°

Color: Transparent

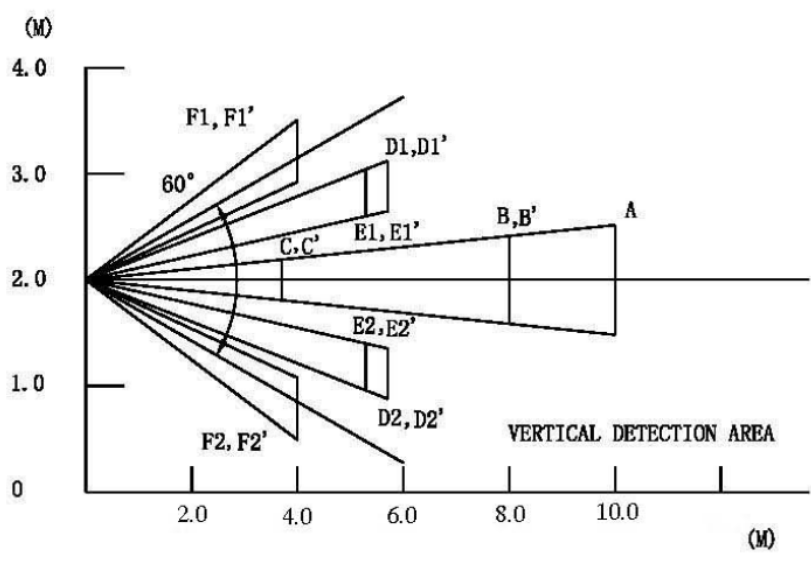
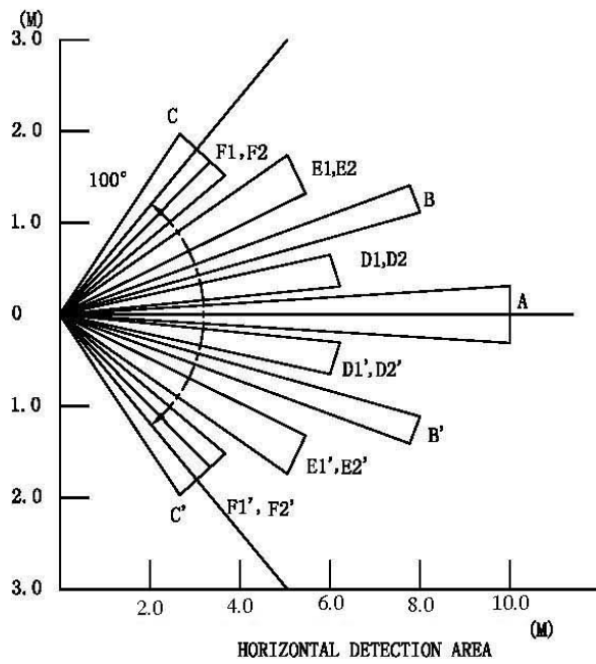
Material: HDPE

3PINS

Dimension (Unit=mm)



Detecting Area(Unit: meter)



SENBA OPTOELECTRONIC NANYANG SENBA OPTICAL AND ELECTRONIC CO. LTD. SHENZHEN BRANCH

Add : 2nd Floor, No.4 Building, Huawan Industry Zone, Gushu, Xixiang Street ,
Bao'an Dist., ShenZhen City China

Website: www.nysenba.com

E-mail : lily@sbcde.com

Tel : 86-755-82591842

Fax : 86-755-82594762