

## FRESNEL LENS



Fresnel lens arrays designed for Passive Infrared Sensor. The optical surface increases lens sensitivity for PIR sensor application.

Model:S9006

[参考資料]

### Specification:

Overall size:23

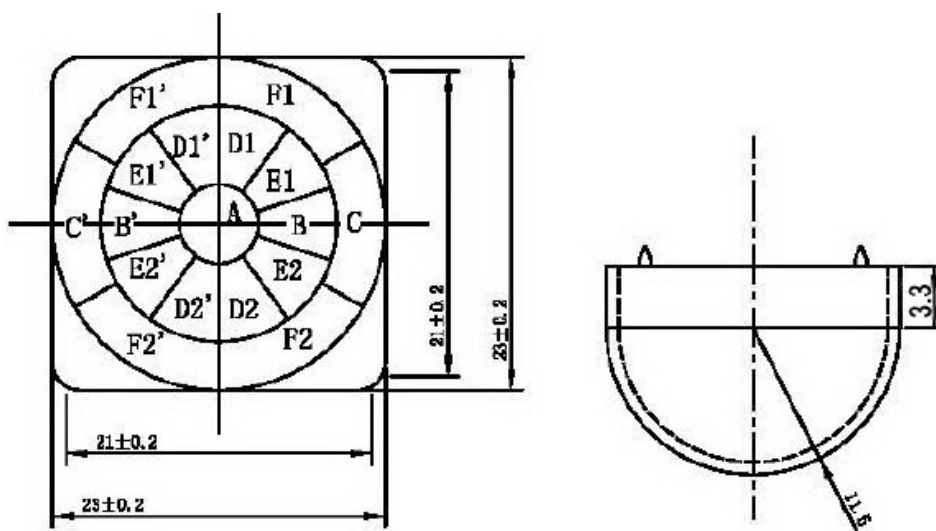
Focal length: 10.5mm

Detectable distance: 5m

Viewing angle: 100°

Material:HDPE

### Dimension (Unit=mm)



### Detecting Area(Unit=Meter)

[参考資料]

