

Readers


Dear customers, your use of the broadcasting company speaker series. We would like to extend my heartfelt thanks to all of the Company manufactured products have been tested before, the commitment to keep its quality. Loud - speakers broadcast Pan-for hotels, commercial buildings, supermarkets, schools, leisure and entertainment venues, is your ideal choice. For your installation, commissioning and use of this product, the installation please read this note.

Safety Tips

- Please be sure to use the former reading detailed notes.
- Really pay attention to this manual and a safety with the important warning.
- Recommend that you keep this manual for future reference.

Common warning signs and security

The manual shown warning signs and security is to prevent the improper operation due to personal injury arising from the loss of property, please read before using this product must understand that this manual security symbols and Warning to indicate fully aware of potential risks.

 **Warning** Such as the inappropriate use of staff will cause injury, death and property damage.

When installed loudspeakers

- Restricted by the provisions of the speakers on the voltage, such as the use of high voltage may cause electric shock or fire disaster. Is no pruning, distorted, or replacement of damaged wires.
- Avoid instability in the installation or set up speakers, such as shaking the table or flat surface, the speaker can avoid falling caused personal injury or property damage.
- Speakers will be installed in support of the speaker or the weight of a solid shelf. Speaker swap can be avoided caused personal injury or property damage.
- Wet hands must not be admitted into or plugs, may lead to electric shocks.
- The allocation of plugs, make sure that pull plugs, rather than pull wires. The use of a damaged power line of machinery may cause fire or electric shock.
- Mobile speaker, you plug the prior allocated. If the speaker and plugs may be moving together will cause fire or electric shock. For plugs, identified as plugs for grip.
- Will not be allowed to speakers on the vent cover. May cause internal heating caused by the fire.

itc

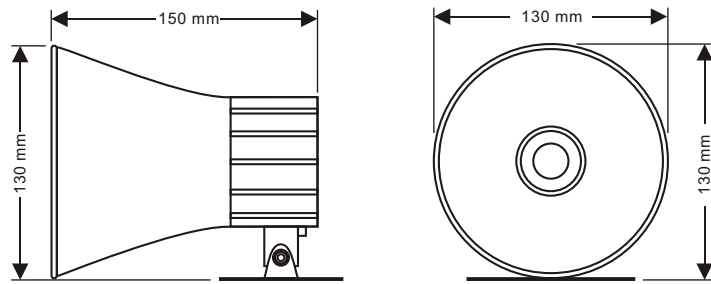
HORN SPEAKER



T-710E

OWNER'S MANUAL

Dimension

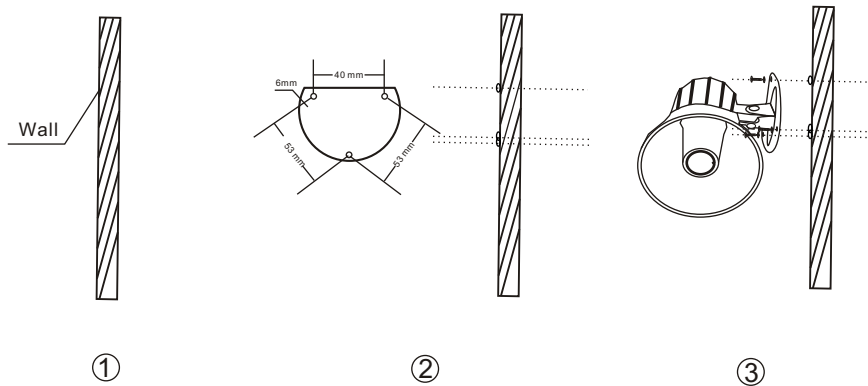


T-710E

Specifications

Model	T-710E
Rated Power	10W
Max Power	20W
Impedance	Black&White:Com Black:8Ω
SPL(1W/1M)	102dB±3dB
Freq Response	250-18KHz
IP Rate	IP×6
Dimensions	130×150 mm
Weight	0.5Kg

Installation

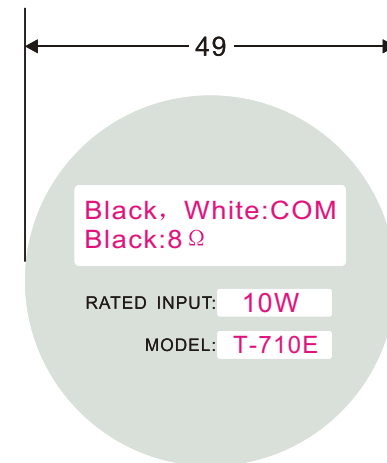


Step 1 Of the first speaker with the tape measure to the size of pillar holes, and the wall opening is less than three 5mm holes. the distance between the holes for the 64mm and 74mm.

Step 2 Holes targeting the speaker columns to open the walls of the hole bit soft hanging speakers, button tight spiral wire and secured.

Step 3 To complete the installation of speakers.

Label Stickers



T-710E