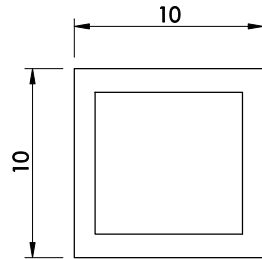
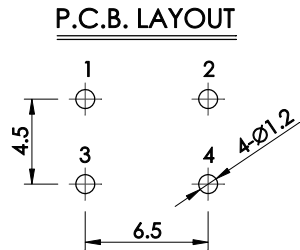


版本：V2.2

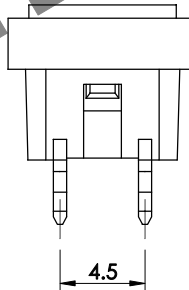
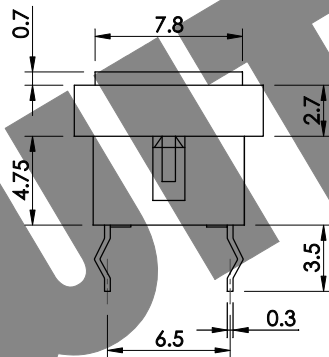
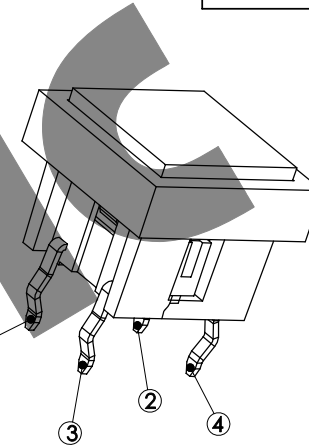
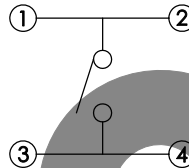
*開關產品未經SWITRONIC同意，請勿拆解，否則無法負品質及安全責任。
Please do not decompose the switch without any permission from SWITRONIC, otherwise the quality and safety responsibility could not be guaranteed.

*本圖面若與目錄之規格尺寸不符，以本圖面規格尺寸為主。
Below is our main specification if different from catalog.

RoHS compliant



CIRCUIT



RoHS compliant

TS-AXXXH-G

HOUSING COLOR		CAP COLOR	
G	Light Gray	R	Red
B	Black	GN	Green
		B	Black
		G	Gary
		W	White
		O	Orange

SPECIFICATION

Rating: 50mA 12V DC.
Circuit: SPST.
Function: OFF-(ON).
Travel: 0.25±0.1mm.
Contact resistance: 100mΩ Max.(initial)
Insulation resistance: 100MΩ Min.
Withstand voltage: 250V AC for 1 minute.
Operating temperature: +10°C ~ +60°C.
Minimum load: 10mA 3.3V DC.(reference only)
Life: 100,000 Cycles Min.
Soldering temperature: 250°C Max. for 3 sec.
Soldering time: 1 time only.
Note1: Unwashable, don't be immersed by epoxy and organic solvent.
Note2: Please check the actual size, do not scale the drawing page.

MATERIAL

Base frame: Nylon46, UL-94V-2 Min.
Outer frame: Nylon66, UL-94V-2 Min.
Actuator: PBT, UL-94V-2 Min.
Cap: ABS.
Terminal: Brass, Silver plated.

產品 PRODUCT		型號 MODEL NO.	
Pushbutton Switch		TS-AGGNH-G	
製圖 DRAWN BY	核圖 CHECKED BY	主管 APPROVED BY	單位 UNIT
			mm
			比例 SCALE
			5 : 2
			公差 TOLERANCE
			.X=±0.3mm, .XX=±0.2mm

SWITRONIC[®]
INDUSTRIAL CORP.
Switches



一綺電子企業股份有限公司

總公司：110 台北市信義路四段415號13樓之3
13F-3 NO. 415, SEC. 4, HSIN YI ROAD, TAIPEI, TAIWAN
TEL : 886-2-27290229 (Rep.) FAX : 886-2-27582086
URL : <http://www.switronic.com.tw>
E-MAIL : switches@ms36.hinet.net