

# SPECIFICATION FOR APPROVAL

CUSTOMER \_\_\_\_\_

PART NAME **Mica Capacitor**

SPEC TS23 220pF 50V +/-5% DM10 Bulk RoHS

TS23 470pF 50V +/-5% DM10 Bulk RoHS

PART NO \_\_\_\_\_

DATE 2020-12-21

CUSTOMER APPROVE

DRAWING

PREPARED

CHECKED

APPROVED

***Suntan***® Technology Company Limited

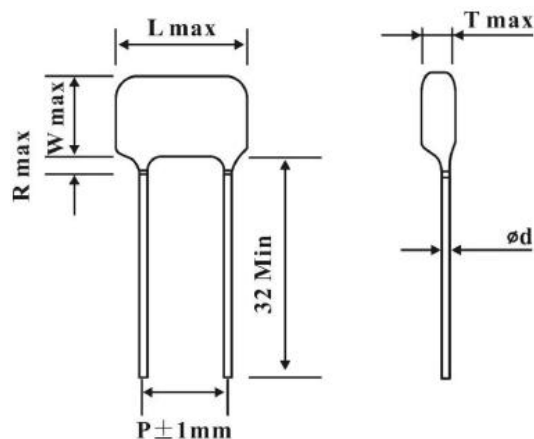
Unit H, 4/F., Dormind Industrial Building , 13 Yip Fung Street, Fanling, N. T., Hong Kong.

[http:// www.suntan.com.hk](http://www.suntan.com.hk) E-mail : [info@suntan.com.hk](mailto:info@suntan.com.hk)

Tel : (852) 8202 8782

Fax : (852) 8208 6246

## Outline Drawing



## Dimensions

(mm)

TYPE	CAP	W.V.	Tol.	L	W	T	P+/-1	D+/-0.06
TS23 DM10	220pF	50V	+/-5%	10.5	10.5	6.5	3.5	0.4
TS23 DM10	470pF	50V	+/-5%	10.5	10.5	6.5	3.5	0.4

## Specifications

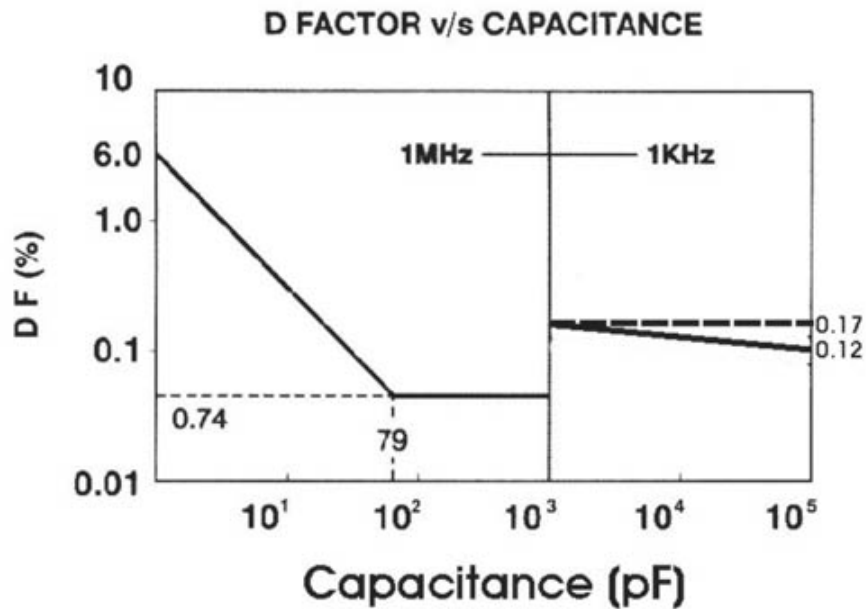
Withstanding Voltage	200% of rated Voltage for 1 to 5 seconds with surge current not exceeding 50 mA.
Insulation resistance	>100,000 megohms at 100 VDC
Tangent delta	< .00074 AT 1 MHZ.
TEMP. COEFF.	'F' as per TABLE 1
TEMP. RANGE	- 55 °C to +125 °C
Lead wire	Copper clad steel wire plated with tin

**Suntan® Technology Company Limited**

Unit H, 4/F., Dormind Industrial Building , 13 Yip Fung Street, Fanling, N. T., Hong Kong.

[http:// www.suntan.com.hk](http://www.suntan.com.hk) E-mail : [info@suntan.com.hk](mailto:info@suntan.com.hk)

Tel : (852) 8202 8782 Fax : (852) 8208 6246



**TABLE 1. TEMP. CHARACTERISTIC**

	TEMP.COEFF.PPM/°C	CAP. DRIFT
C	-200 TO + 200	+/- (0.5% + 0.1 pF)
D	-100 TO + 100	+/- (0.3% + 0.1 pF)
E	-20 TO + 100	+/- (0.1% + 0.1 pF)
F	-0 TO + 70	+/- (0.5% + 0.1 pF)

***Suntan***® Technology Company Limited

Unit H, 4/F., Dormind Industrial Building , 13 Yip Fung Street, Fanling, N. T., Hong Kong.

http:// www.suntan.com.hk

E-mail : info@suntan.com.hk

Tel : (852) 8202 8782

Fax : (852) 8208 6246