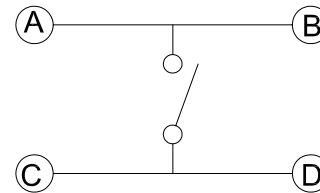


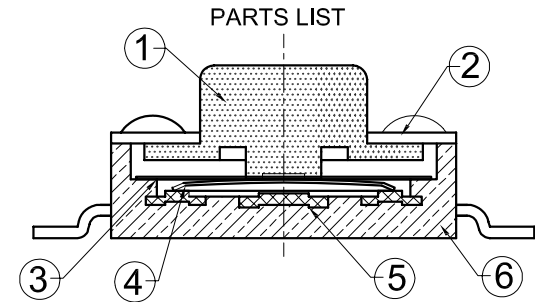
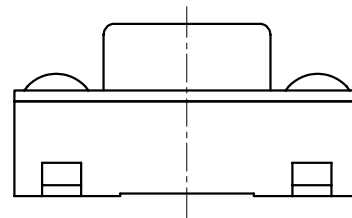
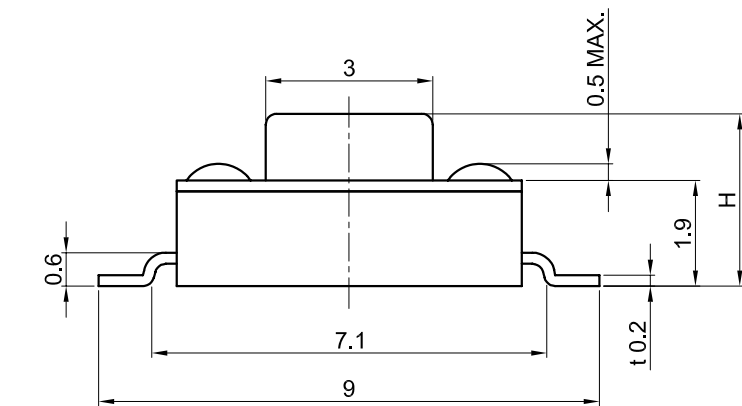
SMD REFLOW PATTERN
(TOLERANCE : N/S)



CIRCUIT DIAGRAM

- SPECIFICATION**
- 1.RATING:DC 12V/50mA
 - 2.CONTACT RESISTANCE:MAX. 50mΩ
 - 3.TRAVEL:0.25mm±0.1mm
 - 4.OPERATING FORCE:160±50gf
 - 5.INSULATION RESISTANCE:DC 100V/1 MINUTE.
 - 6.WITHSTAND VOLTAGE:AC 250V/1 MINUTE.
 - 7.OPERATING LIFE:100000 CYCLES MIN.

STEM HEIGHT(H)	MODEL NAME
2.5	TSHA-T-2.5B2
3.1	TSHA-T-3.1B2
3.8	TSHA-T-3.8B2



PARTS LIST

NO	PARTS NAME	MATERIAL	SPECIFICATION	Q'TY	FINISH
1	STEM	LCP		1	
2	COVER	STAINLESS		1	
3	DUST COVER	PIFILM		1	
4	CONTACT	STAINLESS	Ag-SUS 301	1	Ag CLAD
5	TERMINAL	BRASS	C2680R	1	Ag PLATE
6	CASE	LCP		1	

ROHS COMPLIANCE

CODE NO.					MODLE NAME	TSHA-T-2.5B2-19E				
PATH :	Switch\Tact Switch\Spec			DRAWING NO.	TS-180					
TOLERANCES	APPROVED SIGNATURES	DRAWN BY	CHECKED BY	APPROVED BY	SCALE	1 / 1	UNIT	m/m	VERSION	A
±0.2		鐘學峰	余倩	廖智順						
		2010.12.3	2010.12.3	2010.12.3						

△				Third Angle Projection
△				
△				
△	2010.12.3	Zhong xue feng	首次出圖	