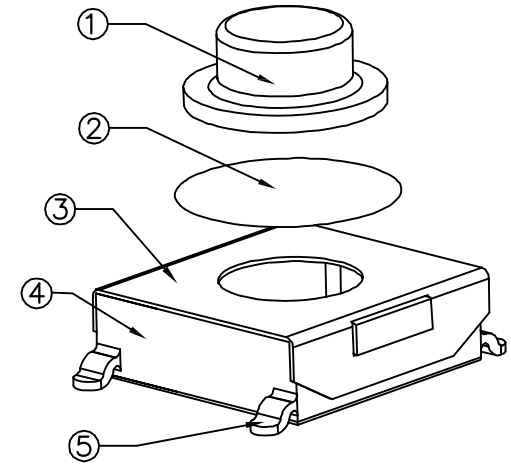
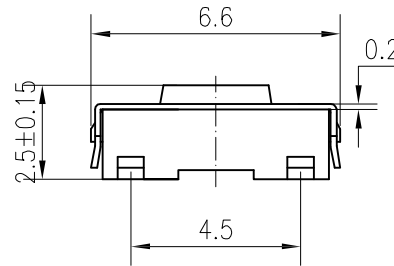
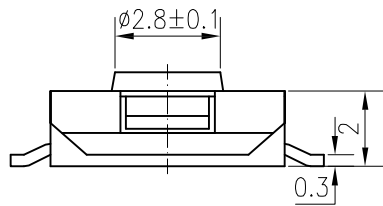
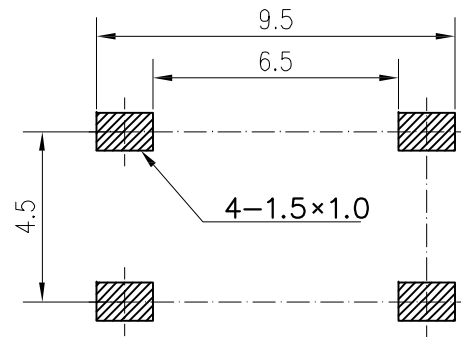
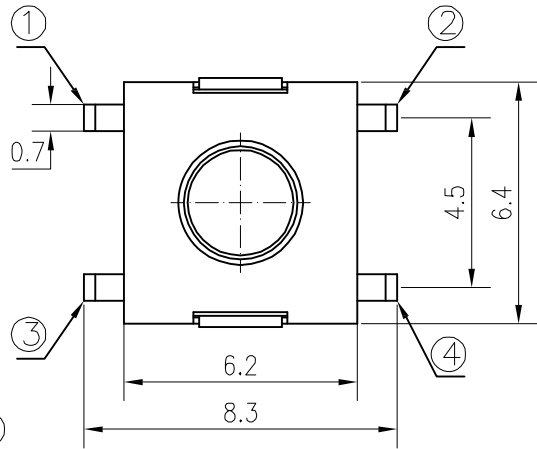


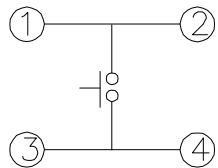
H(value)
2.5
2.7
3.1
3.4
5.1



Technique parameter:
 1.Do to use temperature: -25~+85°C;
 2.The sum settles burden: DC 12 V 50; mA
 3.Get in touch with electric resistance: ≤ 50μΩ;
 4.Insulate electric resistance: ≥ 100 MΩ;
 5.BearPress: AC250 V(50 Hz)min
 6.Act dint: 160g/250g± 50g;
 7.Service life: 100000 times;
 8.Have never noted size business trip to according to the underneath form.



PC board land dimensions
 Viewed fromm switch mounting face



CIRCUIT

ROHS COMPLIANCE

5	TERMINAL	BRASS	Ag	1	
4	HOUSING	PPA		1	BLACK
3	COVER	BRASS	Cu/Sn	1	
2	CONTACT	PBS	Ag	1	
1	BUTTON	PPA		1	RED/BLACK
NO.	PART NAME	MATERIAL	SURFACE TREATMENT	QTY	REMARK

CODE NO.				MODLE NAME	TSHA-T-2.5B2-19SH							
PATH :	Switch\Tact Switch\Spec			DRAWING NO.	TS-249							
TOLERANCES		APPROVED SIGNATURES		DRAWN BY	CHECKED BY	APPROVED BY	SCALE	1 / 1	UNIT	m/m	VERSION	A
0~3	±0.10			Ken	Terry	Terry						
>3~6	±0.10											
>6~30	±0.20											
>30~120	±0.30											
ANGLE	±1°			2020.8.27	2020.8.27	2020.8.27						

可正欣有限公司
TOP-UP INDUSTRY CORP.

△				Third Angle Projection
△				
△				
△	2020.8.27	Ken	首次出圖	