



## SPECIFICATIONS SHEET

**PRODUCT TYPE : MAGNETIC BUZZER**

**PRODUCT SERIES : UDB**

**DESCRIPTION : MT BUZZER SINGLE 5VDC PIN NORYL RoHS**

**COLOR : BLACK**

### ELECTRICAL SPECIFICATIONS

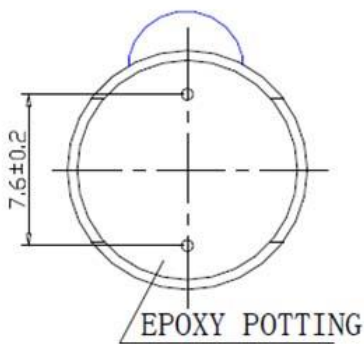
<b>MODEL NO.</b>	<b>UDB05LFPN</b>	
<b>OPERATING VOLTAGE RANGE</b> ( VDC )	3.0 ~ 7.0	
<b>RATED VOLTAGE</b> ( VDC )	5.0	
* <b>MAX. RATED CURRENT</b> ( mA )	30.0	
* <b>MIN. SOUND OUTPUT</b> ( dBA/ 10 cm )	83.0	
* <b>FREQUENCY</b> ( Hz )	2300 ± 400	
<b>TONE NATURE</b>	SINGLE	
<b>OPERATING TEMPERATURE</b> ( °C )	- 30 ~ + 70	
<b>STORAGE TEMPERATURE</b> ( °C )	- 40 ~ + 85	
<b>TERMINAL</b>	PIN	
<b>HOUSING MATERIAL</b>	NORYL	
<b>WEIGHT</b> ( g )	2.0	

\* Value applying at rated voltage

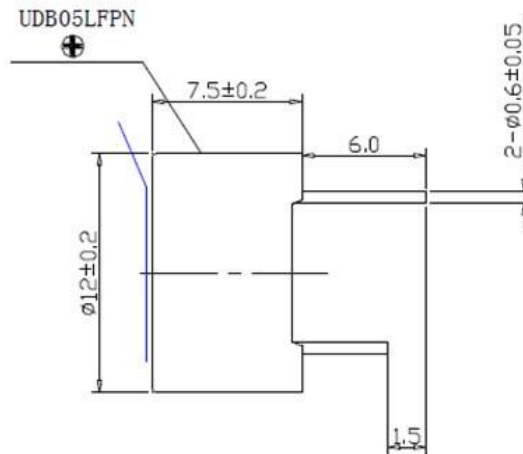
### DIMENSIONS

**UNIT : mm**

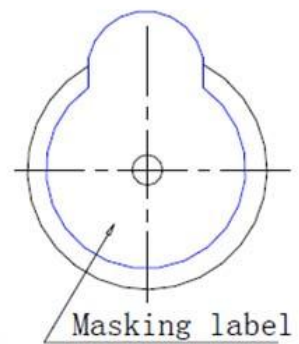
**BOTTOM VIEW**



**SIDE VIEW**



**TOP VIEW**



*Jy*

Approved By :  
Date : 22-Feb.-2016



*Fan*

Prepared By :  
Date : 22-Feb.-2016

Modify :	Date :	By :