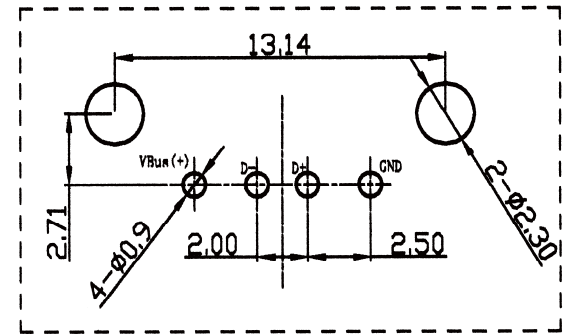


Materials


Insulator : PBT, UL 94V-0
 Contact : Copper Alloy
 Shell: Brass

Specification

Current rating : 1.5 Amp
 Insulation resistance : 1,000M Ω min.
 Contact resistance : 20m Ω max.
 Withstanding voltage: AC 500V for 1 minute
 Operating Temperature : - 30°C ~ + 70°C



PCB Layout (Bottom View)

E				Drawn:	General Tolerance			 U seconn Electronics Ltd.	Part No.
D					.0	.00	.000		USB-4AF103BS
C				Checked:	±0.30 ±0.15 ±0.10			Electronics Ltd.	File No. USB-4AF103BS
B	28-Feb-13	change logo			Unit : mm				
A	21-Apr-07	new release		Appraisal:	Scale :			Title: USB 4P A type Female	
Rev.	Date	File	BY		Sheet : 1/1			Single Deck, Right Angle, White Insulator	