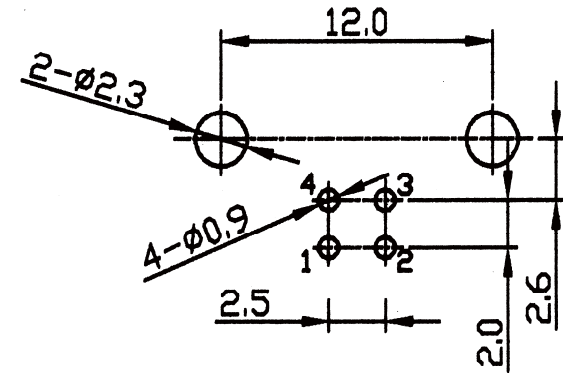


**Materials**


Insulator : PBT, UL 94V-0  
 Contact : Copper Alloy  
 Shell: SPCC  
 Shell Cover: SPCC

**Specification**

Current rating : 1.5 Amp  
 Insulation resistance : 1,000M  $\Omega$  min.  
 Contact resistance : 20m  $\Omega$  max.  
 Withstanding voltage: AC 500V for 1 minute  
 Operating Temperature : - 30°C ~ + 70°C



PCB Layout (PCB Thickness 1.60/1.20mm)  
 Other tolerance  $\pm 0.05$

E				Drawn:	General Tolerance			 <b>U seconn Electronics Ltd.</b>	Part No.
D					.0	.00	.000		<b>USB-4BF103BS</b>
C				Checked:	$\pm 0.30$	$\pm 0.15$	$\pm 0.10$		
B	28-Feb-13	change logo			Unit : mm				
A	21-Apr-07	new release		Appraisal:	Scale :				
Rev.	Date	File	BY		Sheet : 1/1			Title: USB 4P B type Female Single Deck, Right Angle, White Insulator	