

**RoHS Compliant**

**Material & Finish**

Housing: PBT + 30%GF, UL94V-0, Blue color  
 Contact: copper alloy 9t=0.25mm)  
 Au plated on matting area  
 Tin plated on soldering area  
 Nickel underplated overall  
 Shell: Brass, Nickel plated

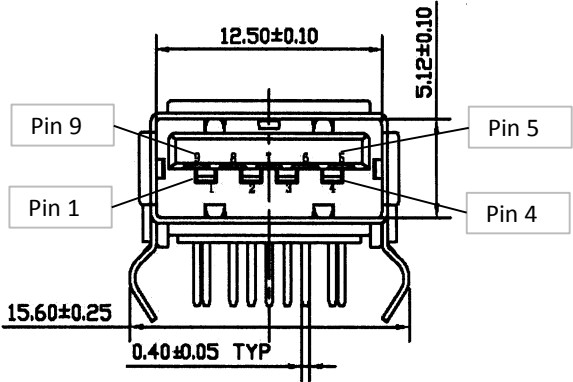
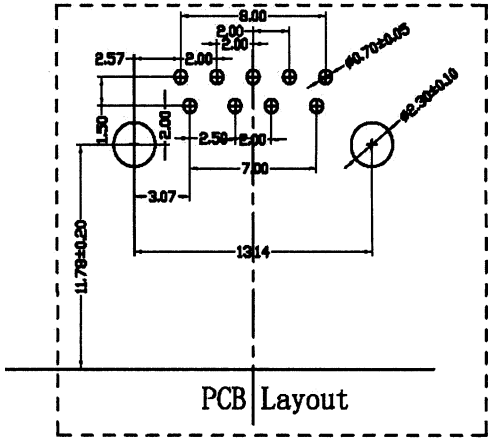
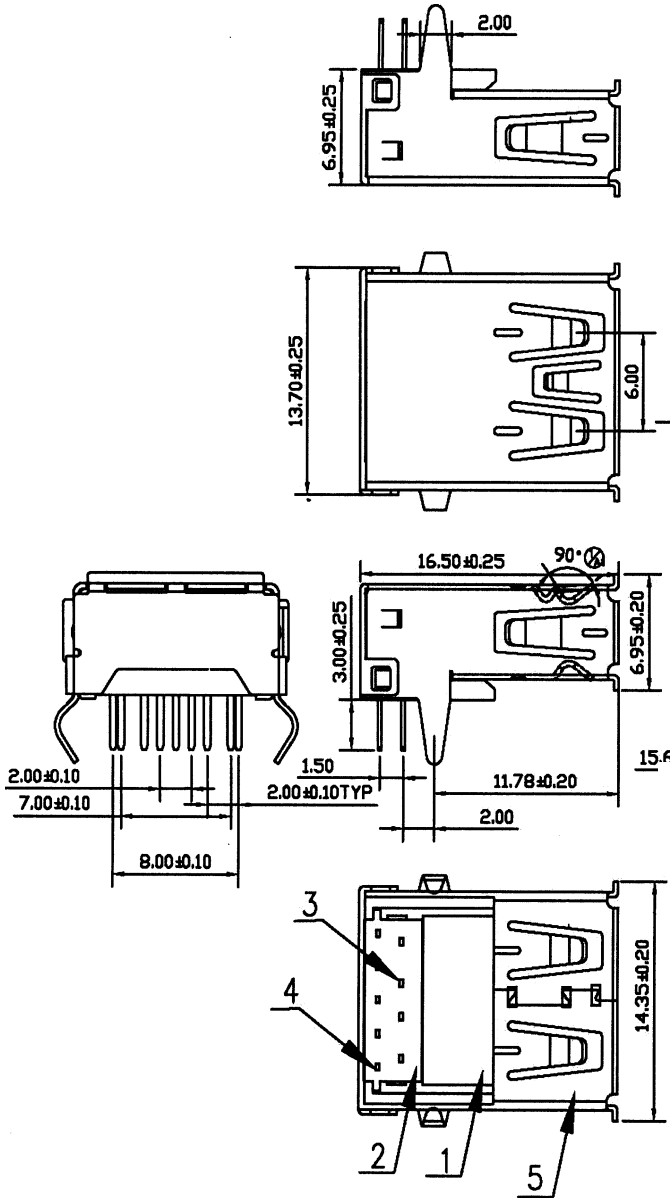
**Specification**

Contact current rating:  
 1.8Amp for pin 1 & pin 4  
 0.25 amp for pin 2 & pin 3  
 Dielectric withstanding voltage:  
 AC 100V (RMS)  
 Insulation resister: 100M Ω min.  
 Contact resistance:  
 30mΩ max for pin 1 & pin 4  
 50mΩ max for pin 2 & pin 3

**Mechanical characteristic**

Mating force: 35 newtons max  
 unmating force: 10 newtons min

**Operating temperature: - 55°C ~ + 85°C**



E				Drawn:	General Tolerance		
D				Jack Lin	.0	.00	.000
C				Checked:	±0.10	±0.10	±0.05
B				Ivy Lee	Unit : mm		
A	3-Feb-14	new release	Jack	Appraisal:	Scale :		
Rev.	Date	File	BY	Simon Chen	Sheet : 1/1		



**Useconn**  
**Electronics Ltd.**

Title: USB 3.0 A type Female  
 Right angle dip pcb type

Part No.  
**USB3 - 4AF103DS**  
 File No. CE-USB3-4AF103XS