



SPL (HONG KONG) LIMITED

香港九龍觀塘鴻圖道57號南洋廣場17樓1703B室
Room 1703B, 17/F., Nanyang Plaza, No.57 Hung To Road, Kwun Tong, Kowloon, HK.
Tel: 852-2342 6857 / 2342 6867 Fax: 852-2342 6847 Email: sales@spl-hk.com.hk
Website: www.buzzer.com.hk ; www.transducer.com.hk ; www.connector.com.hk

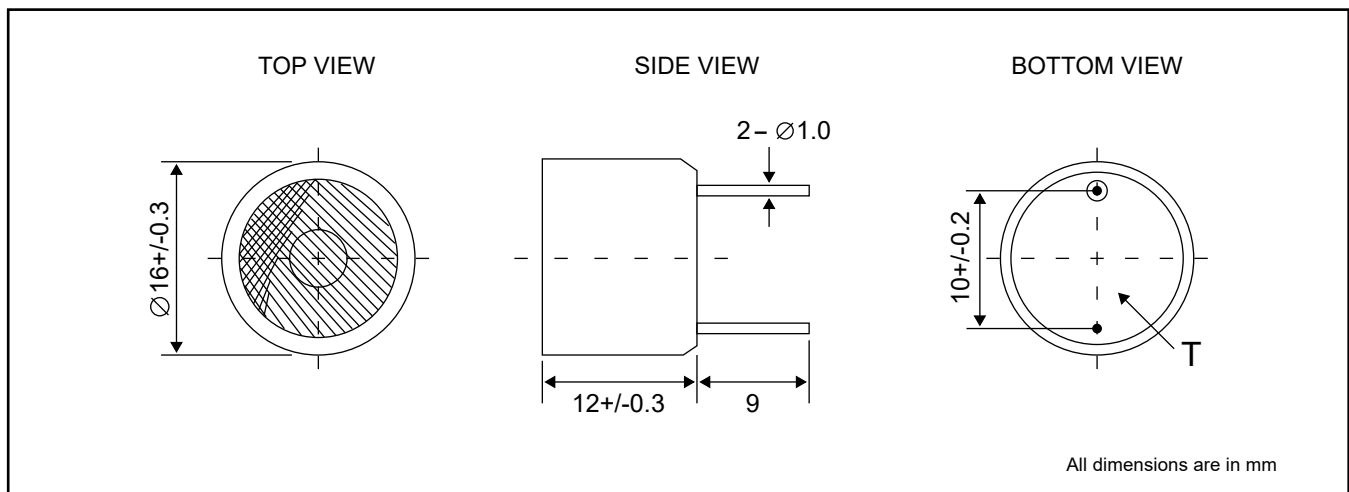


ISO 9001:2008
Management
System
ID 9105074689

Ultrasonic Sensor SU16 series

DIMENSIONS

Date : 03 Jun.,2020



Ref. no. : P104238-1R2

Remark : Bottom with soldering pad



ELECTRICAL SPECIFICATIONS

Model No.	UT1612MPR
Construction	Open Structure
Function	Transmitter
Center Frequency [Hz]	40k +/- 1k
Overall Sensitivity [dBA]	--
Sound Pressure Level [at 10Vrms, 30cm]	115 dB min. [0dB = 0.02mPa]
-6dB Direction [degree]	65 max.
Capacitance [at 1kHz]	2400 pF +/- 25%
Max. Input Voltage [Vp-p]	120
Min. Detectable Range [m]	0.2
Max. Detectable Range [m]	18
Terminal	Pin
Housing Material	Aluminium
Colour	Silver
Operating Temperature [°C]	-20 ~ +70
Weight [gm]	5