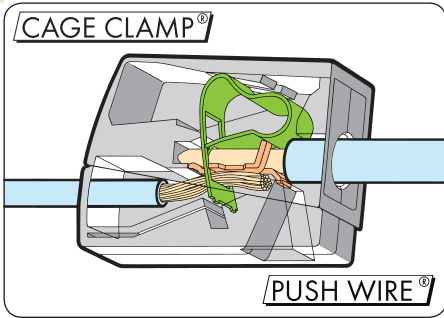


Lighting and "Service" Connectors Series 224

PUSH WIRE®

CAGE CLAMP®



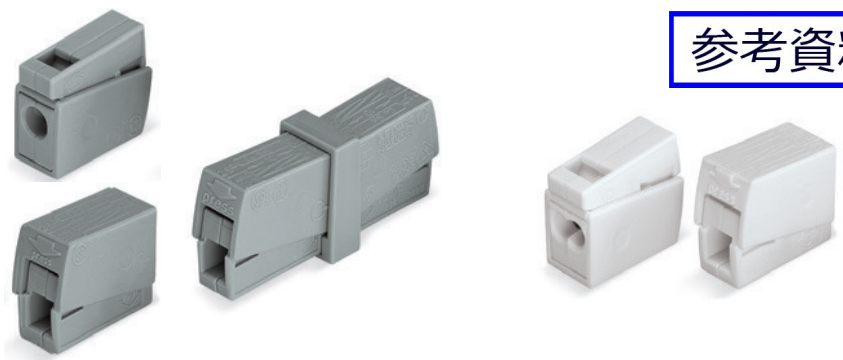
| | |
|-----------------------------------------------------|-------------|
| Installation side 1.0 – 2.5 mm ² "s" | AWG 14 – 12 |
| Lighting side 0.5 – 2.5 mm ² "s+f-st" | AWG 20 – 16 |
| 400 V/4 kV/2**; I _N 24A | 300V,20A |

① Approvals

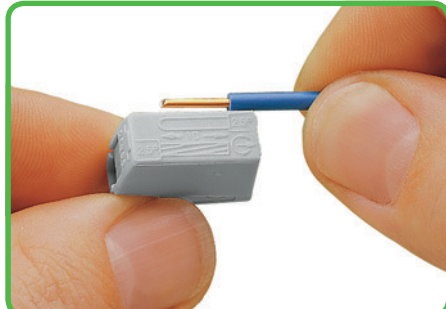
| | |
|--------------------------------------------------------|----------------|
| Installation side 2 x 1.0 – 2.5 mm ² "s" | AWG 16 – 14 |
| Lighting side 0.5 – 2.5 mm ² "s+f-st" | AWG 20 – 16 |
| 400 V/4 kV/2**; I _N 24 A | 300 V, 4 A ① ② |

① Approvals

参考資料

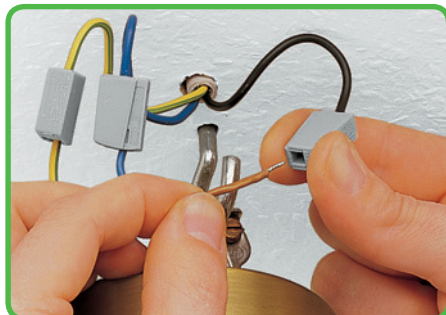


Stripped length

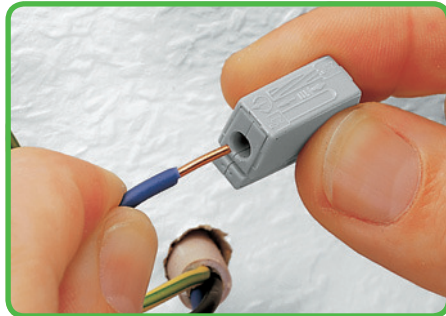


Strip conductor to 9 – 11 mm / 0.39 in.

Conductor termination



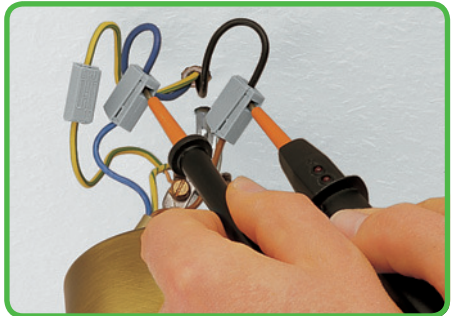
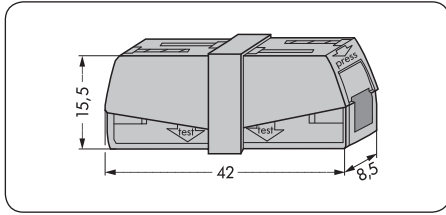
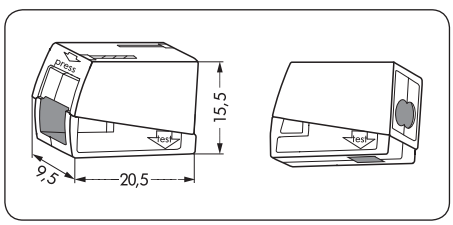
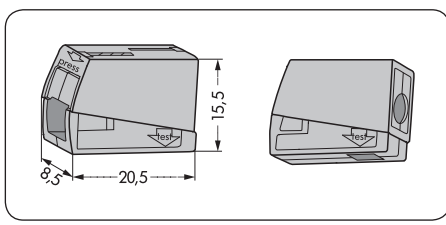
Lighting side terminations:
Press button fully and insert stripped conductor into square entry and release.



Installation side terminations:
Insert stripped solid conductor into entry and push until it hits the stop.

| Color | Item No. | PU | Color | Item No. | PU |
|-------------------------------------------------------------------------------------|----------|-----------------|-------------------------------------------------------------------------------------------------|----------|-----------------|
| Lighting connectors, standard version, continuous service temperature 105 °C, | | | 2-conductor lighting connectors, standard version, continuous service temperature 105 °C, | | |
| gray | 224-101 | 1000 (10 x 100) | white | 224-112 | 1000 (10 x 100) |
| Version for increased continuous service temperature 120 °C, | | | Version for increased continuous service temperature 120 °C, | | |
| black | 224-104 | 100 | black | 224-114 | 100 |
| "Service" connector gray | | | | | |
| | 224-201 | 50 | | | |

Dimensions (in mm) and handling



Testing through separate test slot.

CAGE CLAMP® clamps the following copper conductors:



The PUSH WIRE® connection clamps the following copper conductors:

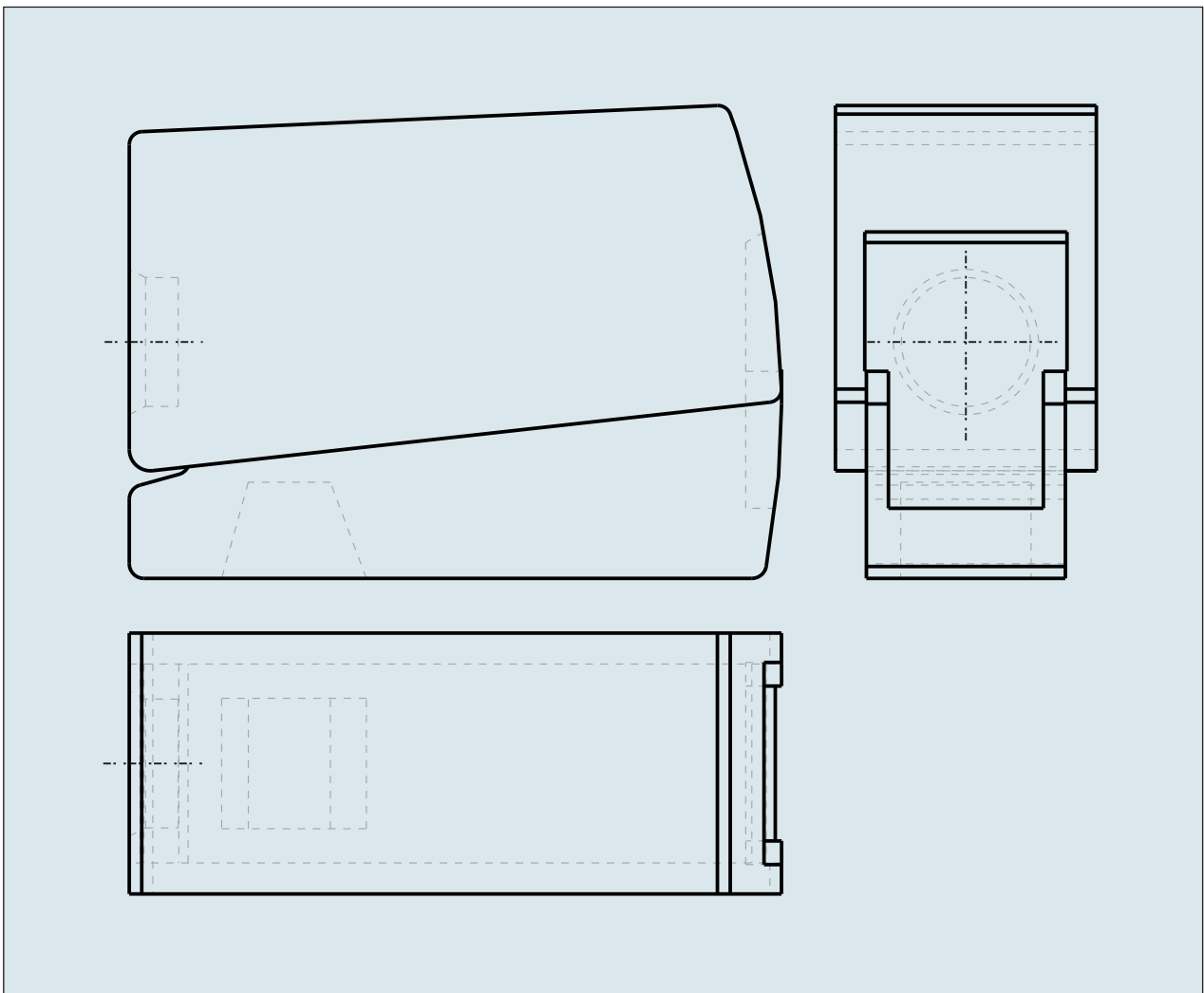
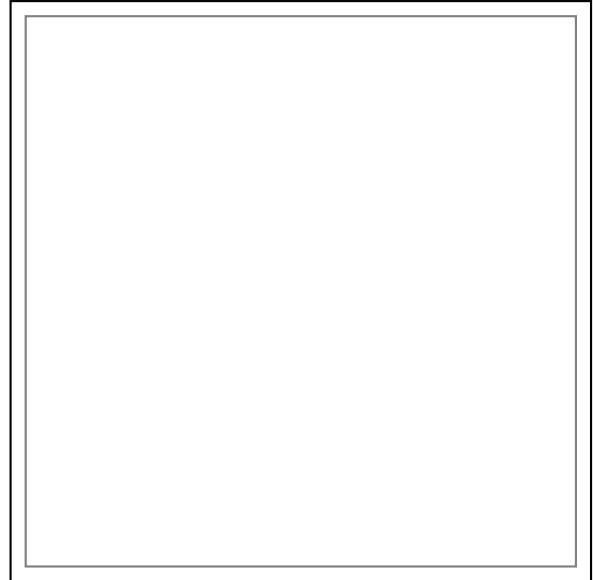
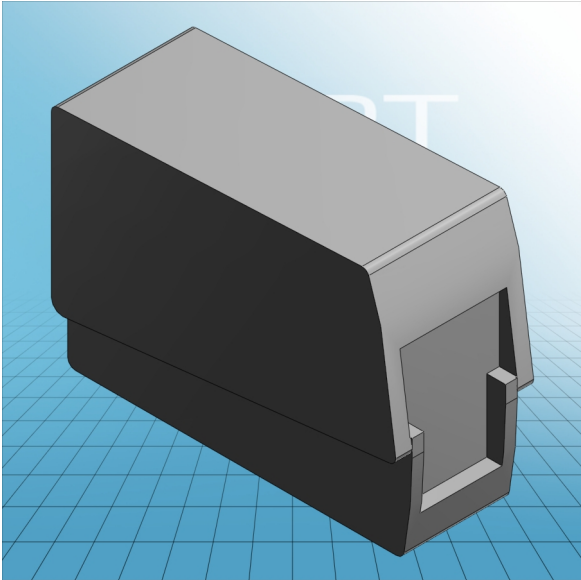


① Approvals are available online at: www.wago.com.

Strip length, see packaging or instructions.



参考資料



| | |
|-------------------------------------------------------------|---------------------------------------------------------|
| ITEM-NO. (ITEM-NO.) | 224-101 |
| Cross section1 (Cross section / mm²) | 1 - 2.5 |
| Cross section2 (Cross section / AWG) | 14 - 12 |
| Strip length (Strip length / mm) | 9 - 11 |
| Measured voltage (Measured voltage / V) | 400 |
| Measured shock voltage (Measured shock voltage / kV) | 4 |
| Pollution degree (Pollution degree) | 2 |
| Current intensity (Current intensity / A) | 24 |
| Height (Height / mm) | 15.5 |
| Width (Width / mm) | 8.5 |
| Depth (Depth / mm) | 20.5 |
| No. of connection Points (No. of connection Points) | 2 |
| No. of potentials (No. of potentials) | 1 |
| COLOR (COLOR) | grau |
| WEIGHT (WEIGHT / g) | 2.033 |
| Comment (Comment) | Standard Ausführung Dauerbetriebstemperatur 105° C |