

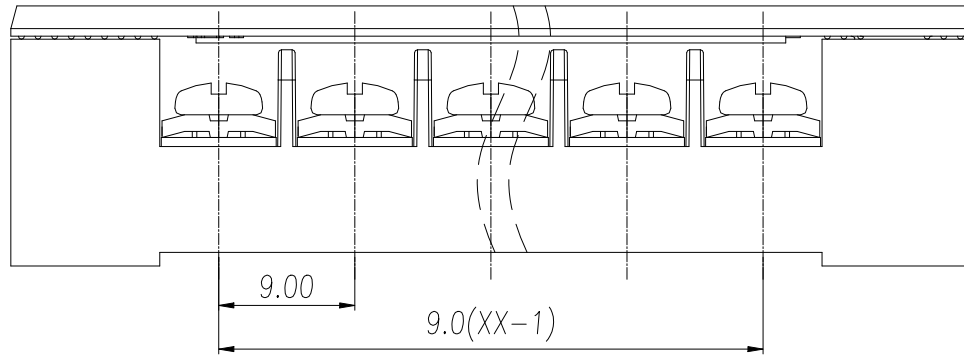
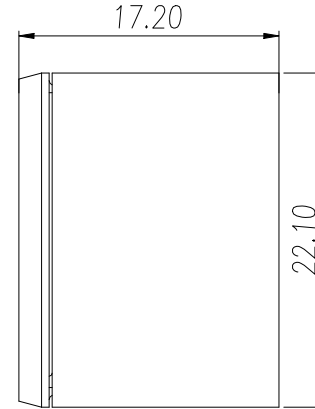
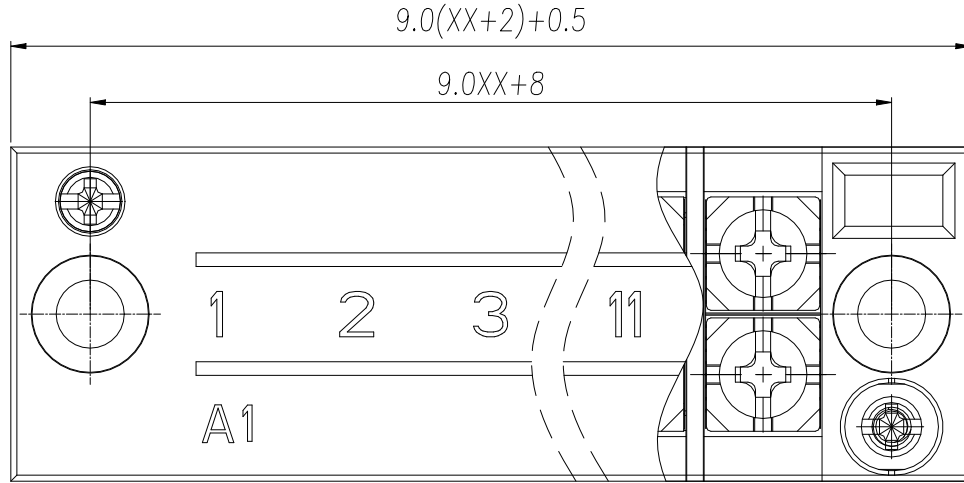


# 慈溪市万捷电子有限公司

## CIXI WANJIE ELECTRONIC CO., LTD

### REVISION RECORD

REV.	DESCRIPTION	ECN No.	APPROVED	DATE



### 电气性能/ Electrical

参考标准/ Standard	UL
额定电压/ Rated voltage	300V
额定电流/ Rated current	20A
接触电阻/ Contact resistance	20mΩ
绝缘电阻/ Insulation resistance	500MΩ/DC500V
使用线径/ Wire range	22~12AWG
耐电压/ Wrth standing voltage	AC 1600V/1 Min

### 机械性能/ Mechanical

扭 矩/ Torque	0.8Nm(7.11Lb.in)
温度范围/ Temp.Range	-30°C~+120°C
瞬时温度/ MAX Soldering	+250°C, for 5 Sec

### 尺 寸/ Dimensions

极 数/ Poles 3P-12p

### 材质及电镀/ Material

塑 件/ Housing	PBT, UL94V-0
螺 丝/ Screws	M3.5 Steel Ni plated
焊 脚/ Pin header	Copper alloy Ni plated
盖 板/ Cover	PC, UL94V-2

linear dimension(Tolerances Standard GB/T 14486-2008)



variable range	to 6	over 6 to 10	over 10 to 30	over 30 to 60	over 60 to 100	over 100 to 160	over 160 to 10	over 10 to 100	over 100 to 0.60	
tolerance	±0.20	±0.30	±0.50	±0.70	±1.00	±1.30	±1.60	0.10	0.30	0.60

单位/ UNITS	mm	尺寸/ SIZE	A4	比例/ SCALE	3:1	第三视角/ THIRD ANGLE PROJECTION	版本/ REV	V0
							名称/ TITLE	WJTBD15-XXP-1Y-00A
慈溪市万捷电子有限公司 CIXI WANJIE ELECTRONIC CO., LTD								