

Single Port 10/100 BASE-T RJ-45 CONNECTOR MODEL NO. : RJLD-260TC1

Features :

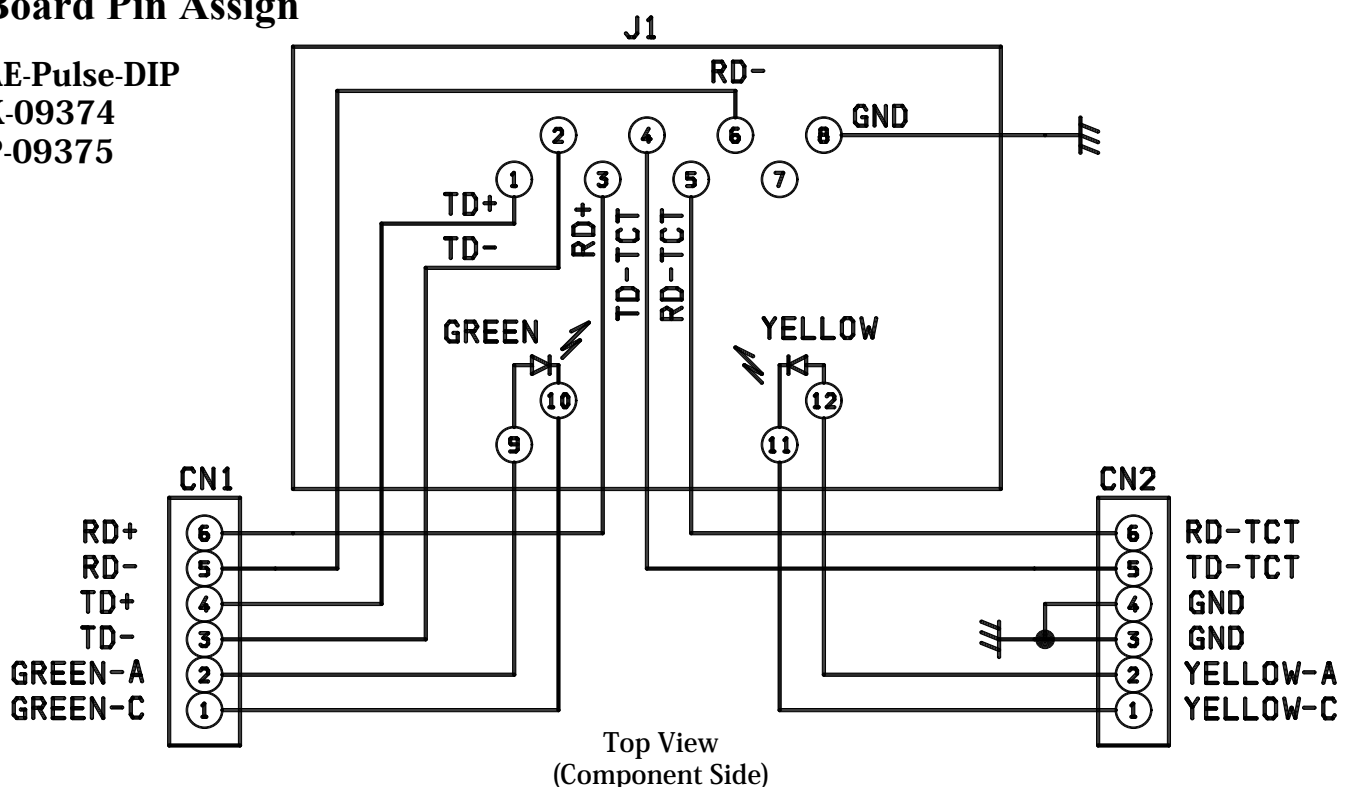
- ◎ RoHS Compliant
- ◎ Fully shielded magnetics protect data from internally generated digital noise
- ◎ Reduces the overall length of the signal path for improved common mode performance
- ◎ Implements full common mode termination scheme with used and unused twisted pairs
- ◎ Meets IEEE802.3 Baseline Wander Compensation specification
- ◎ Integrates high voltage capacitor to chassis ground
- ◎ Supports all major transceivers with matched turns ratio and complete integration of specified termination
- ◎ Design for 100base-tx transmission over UTP-5 cable
- ◎ Operating TEMP. range: -40°C to +85°C
- ◎ Storage TEMP. range: -55°C to +125°C
- ◎ Primary OCL inductance: 350μH MIN. at 100KHz/0.1Vrms with 8mA DC bias
- ◎ With the LED lamp.

Typical Performance Characteristics@ 25°C

Insertion Loss (dB MAX)	Return Loss (dB Min @100Ω)				Differential to Common Mode Rejection (dB MIN)	Cross talk (dB MIN)					CMRR (dB MIN)	Isolation Voltage (Vrms min)
MHz	MHz				MHz	MHz					MHz	1500
1~100	1~30	40	50	60~80	1~100	20	40	60	80	100	1~100	
-1.0	-16	-14	-12	-10	-33	-47	-40	-37	-35	-33	-30	

Board Pin Assign

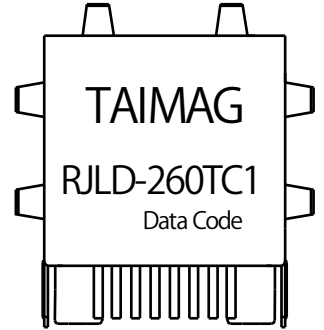
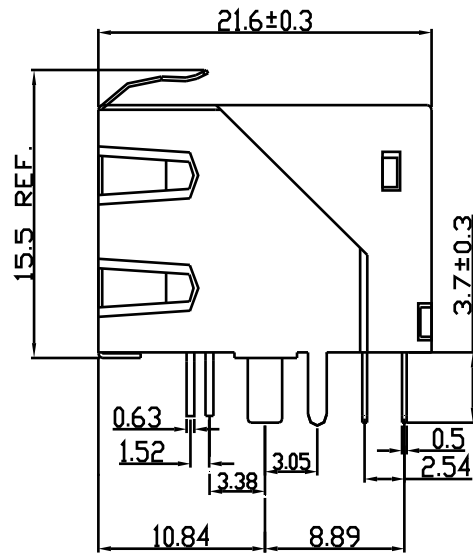
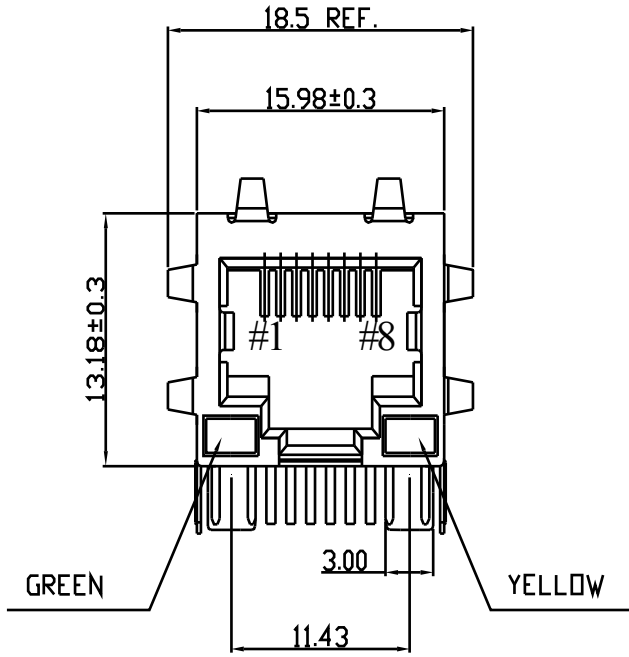
AE-Pulse-DIP
K-09374
P-09375



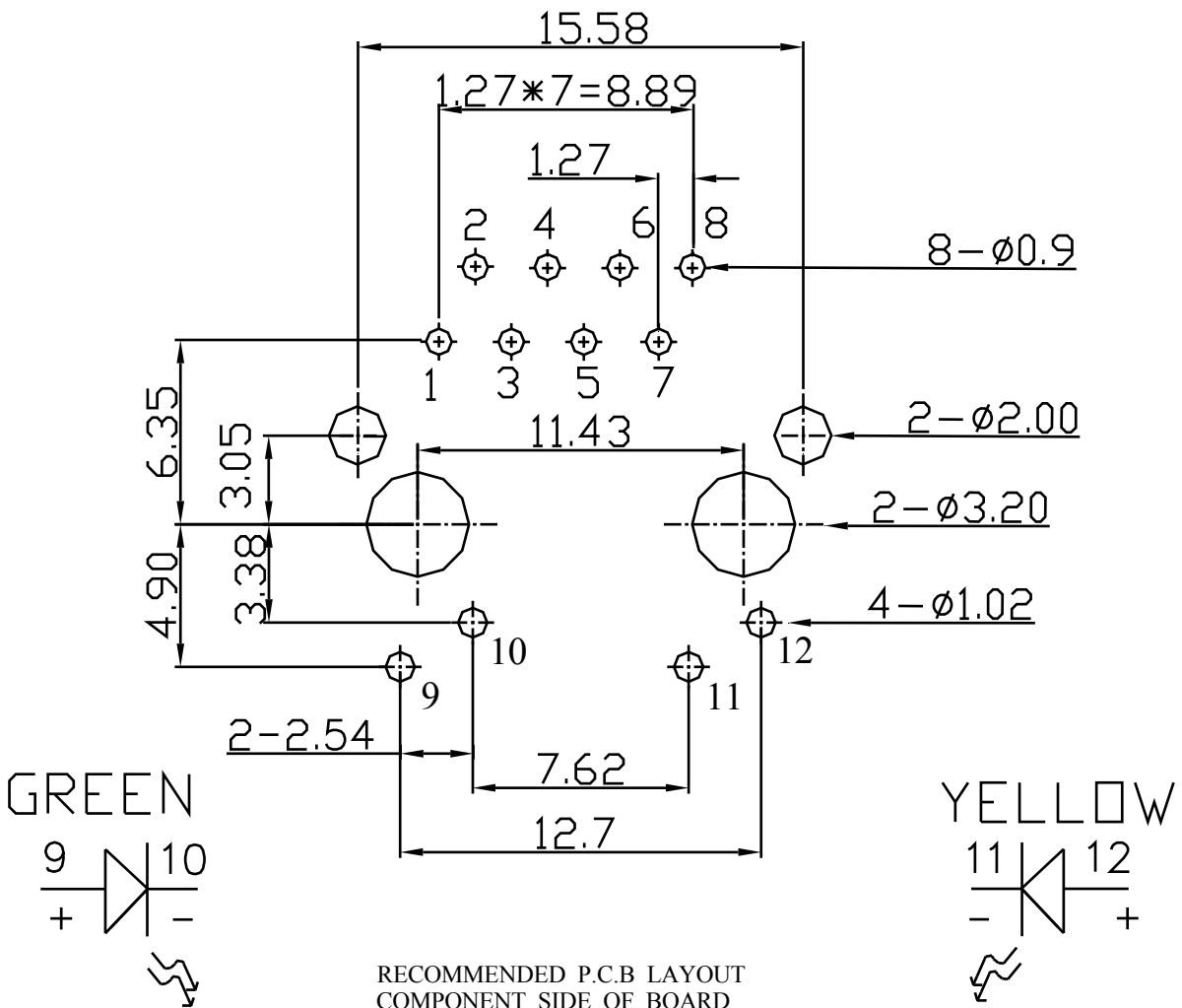
MODEL NO. : RJLD-260TC1

Dimension: mm

TOLERANCE: ± 0.15 (unless otherwise specified)



Connector Marking



RECOMMENDED P.C.B. LAYOUT COMPONENT SIDE OF BOARD