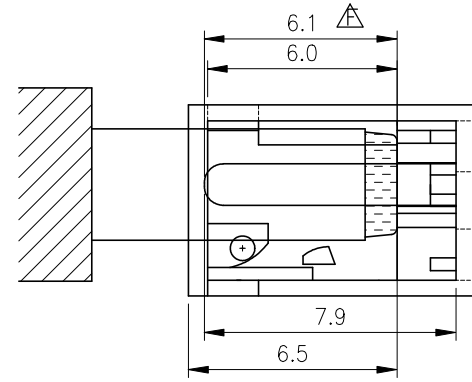
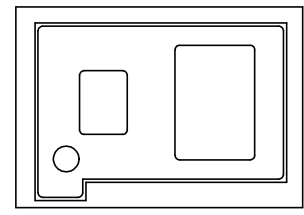
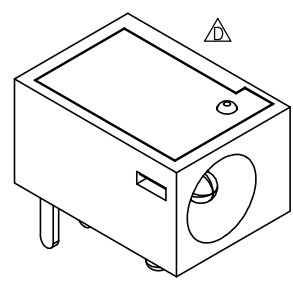
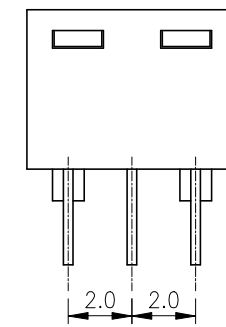
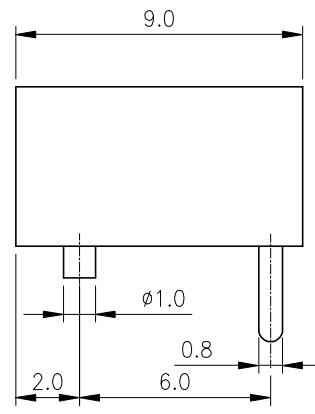
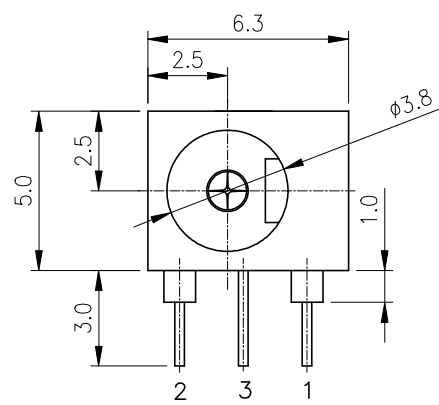


REV.	ECN. NO.	ISSUED
	ECN-060809	2006/08/09 Richard
	ECN-1101011	2011/02/09 Ivy Tsai

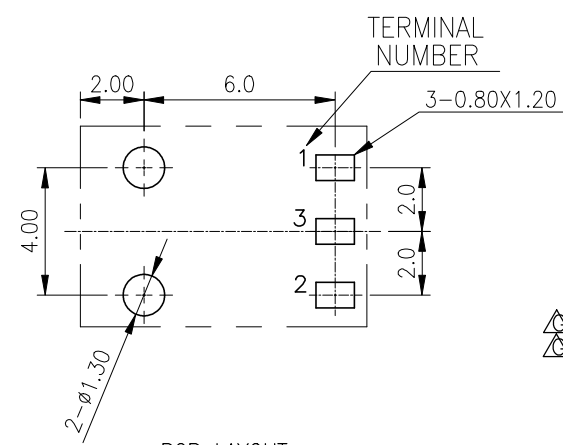
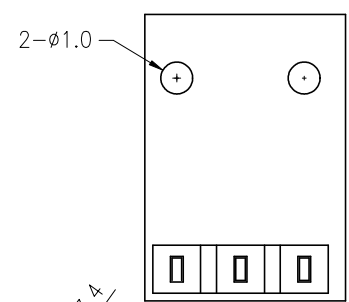
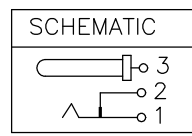


Simula Technology Inc.
FEB 18. 2011
D.C.C. ISSUED



ORDER INFORMATION:
 AJ224B-X700-X00
 A:1.0mm
 B:1.3mm

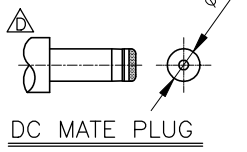
PACKAGING	PART NO.:
N/A	AJ224B-X700-000
BAG	AJ224B-X700-100
T/R	AJ224B-X700-400



ITEM	DESCRIPTIONs	MATERIAL	FINISH	Q'TY	NOTE
	M3	COPPER ALLOY	TIN	1	
	M2	COPPER ALLOY	TIN	1	
	M1	COPPER ALLOY	TIN	1	
	COVER	THERMOPLASTIC		1	
	HOUSING	THERMOPLASTIC		1	

UNLESS OTHERWISE SPECIFIED DIMENSION ARE IN MILLIMETERS TOLERANCE ARE : FRACTION DECIMALS ANGLES

.X ± 0.3	.X° ± 5°	 A Connector Solution Provider	PART NO. AJ224B-X700-X00
.XX ± 0.2	.X° ± 3°		
APPROVALS DRAWN Ivy Tsai 2011/02/09 CHECKED Alan 2011/02/09 APPROVED PHIL 2011/02/09		TITLE MINIATURE DC POWER JACK 1.0ø & 1.3ø	
3rd ANGLE PROJECTION		SIZE VERSION A4 G	CUSS NO.
CONFIDENTIAL		SCALE 4:1	UNIT mm SHEET 1/1



CUSTOMER