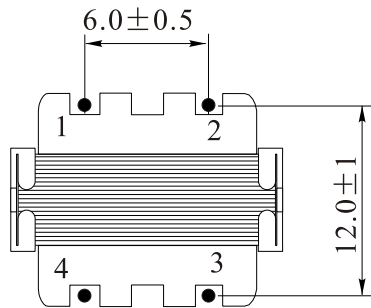
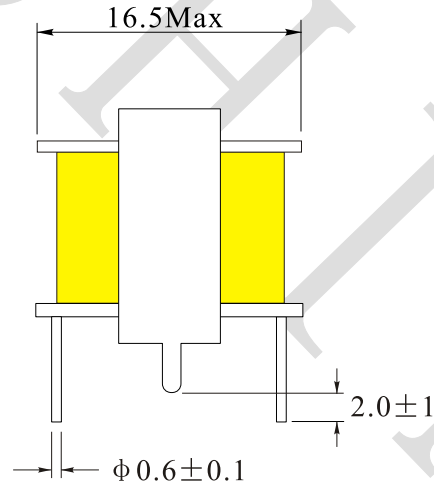
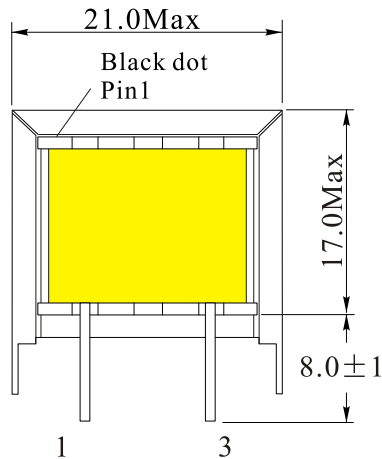


Rev.	Description	Date
A0	New release	2022.03.29

### 1. PHYSICAL CHARACTERISTICS (mm)



Top Marking

AT129-2

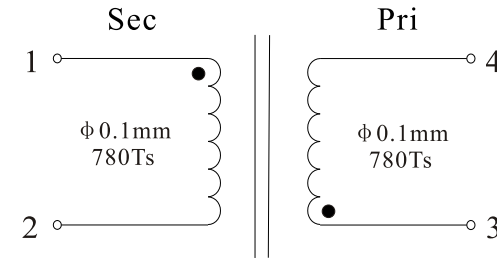
Pin1

Pin2

NOTES:

Temp 20°C 48%RH  
RoHS Compliant

### 2. ELECTRONICAL SCHEMATIC



### 3. ELECTRONICAL SPECIFICATIONS

Inductance: Pri: 360mH ± 20% @ 1.0KHz, 0.25V

Sec: 360mH ± 20% @ 1.0KHz, 0.25V

DCR: Pri: 67 Ω ± 20%

Sec: 55 Ω ± 20%

Impedance ratio: Pri:Sec = 600 Ω : 600 Ω ± 10% @ 1KHz

Note:

- Solderability: leads shall meet MIL-STD-202, Method 208D for solderability.
- Flammability: UL94V-0
- ASTM oxygen index: >28%

NAME:	Audio Transformer		
CUSTOMER P/N:		DATE:	2022-03-29
SHINHOM P/N:	AT129-2	REV: A0	PAGE
DRAWN BY	CHECKED BY	APPROVE BY	



**SHINHOM**  
SHAANXISHINHOM ENTERPRISE CO LTD

The Document property belong to SHINHOM & is not allowed to be duplicated without authorization