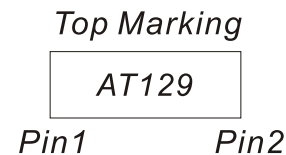
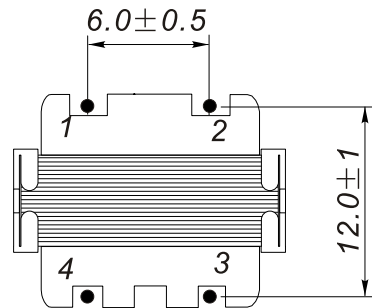
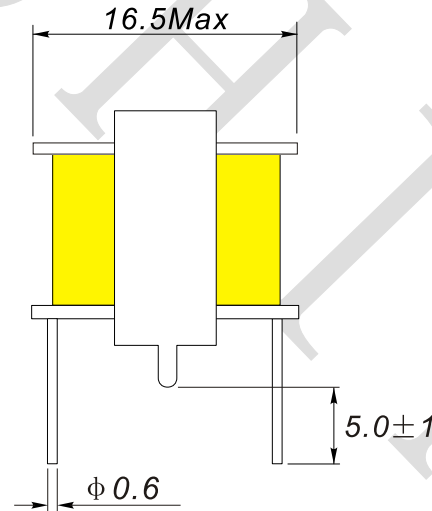
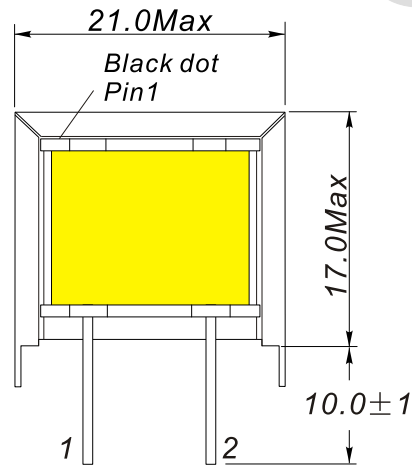
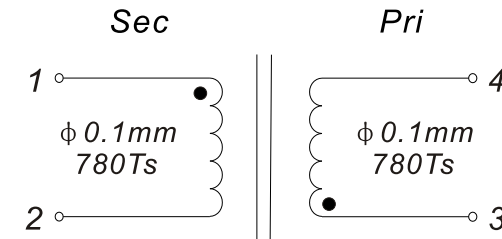


Rev.	Description	Date
A0	New release	2019.06.10

## 1. PHYSICAL CHARACTERISTICS (mm)



## 2. ELECTRONICAL SCHEMATIC



## 3. ELECTRONICAL SPECIFICATIONS

Inductance: Pri: 360mH±20%@1.0KHz,0.25V  
Sec: 360mH±20%@1.0KHz,0.25V

DCR: Pri: 67Ω ±20%

Sec: 55Ω ±20%

Impedance ratio: Pri:Sec= 600Ω : 600Ω ±10%@1KHz

### Note:

- Solderability: leads shall meet MIL-STD-202, Method 208D for solderability.
- Flammability: UL94V-0
- ASTM oxygen index: >28%

### NOTES:

Temp 20°C 48%RH  
RoHS Compliant

NAME:	Audio Transformer		
CUSTOMER P/N:		DATE:	2019-06-10
SHINHOM P/N:	AT129	REV: A0	PAGE
DRAWN BY	CHECKED BY	APPROVE BY	



**SHINHOM**  
SHAANXISHINHOM ENTERPRISE CO.LTD

The Document property belong to SHINHOM & is not allowed to be duplicated without authorization