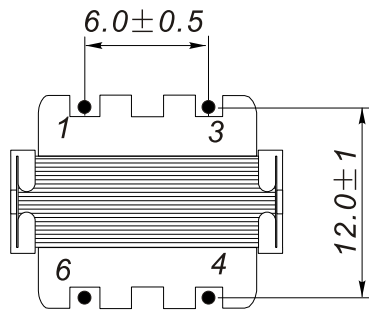
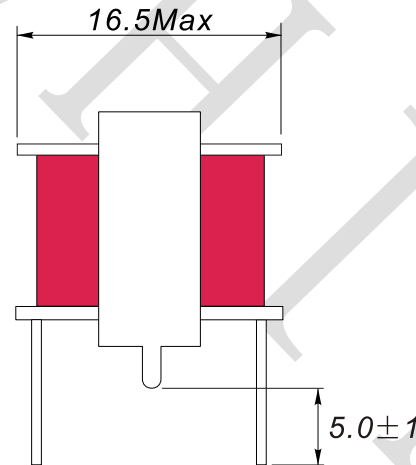
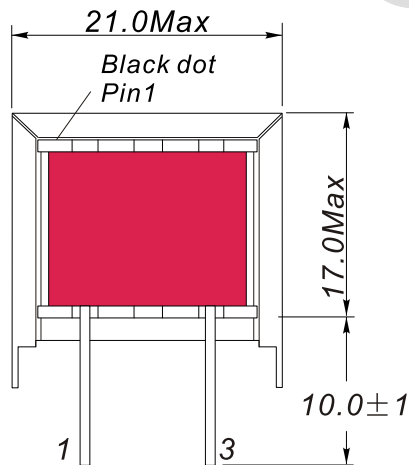


Rev.	Description	Date
A0	New release	2019.06.24

1. PHYSICAL CHARACTERISTICS (mm)



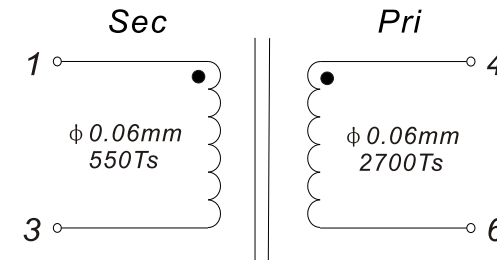
Top Marking

AT405-1

Pin1

Pin2

2. ELECTRONICAL SCHEMATIC



3. ELECTRONICAL SPECIFICATIONS

Inductance: Pri: $4.0H \pm 20\%$ @ 1.0KHz, 0.25V

Sec: $190mH \pm 20\%$ @ 1.0KHz, 0.25V

DCR: Pri: $600\Omega \pm 20\%$

Sec: $100\Omega \pm 20\%$

Impedance ratio: Pri:Sec = $10k\Omega : 600\Omega \pm 10\%$ @ 1KHz

Note:

- Solderability: leads shall meet MIL-STD-202, Method 208D for solderability.
- Flammability: UL94V-0
- ASTM oxygen index: >28%

NOTES:

Temp 20°C 48%RH
RoHS Compliant

NAME:	Audio Transformer		
CUSTOMER P/N:		DATE:	2019-06-24
SHINHOM P/N:	AT405-1	REV: A0	PAGE
DRAWN BY	CHECKED BY	APPROVE BY	



SHINHOM

SHAANXISHINHOM ENTERPRISE CO LTD

TEL:+86-029-87851838
FAX:+86-029-87851840
ZIP:710054
Http://www.shinhom.com
E-mail:shinhom@globalsources.com
sales@shinhom.com.cn
NO. 8. Yanta Northern Road, Xi'an Shaanxi Pro. China