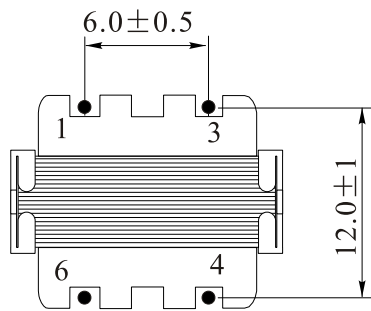
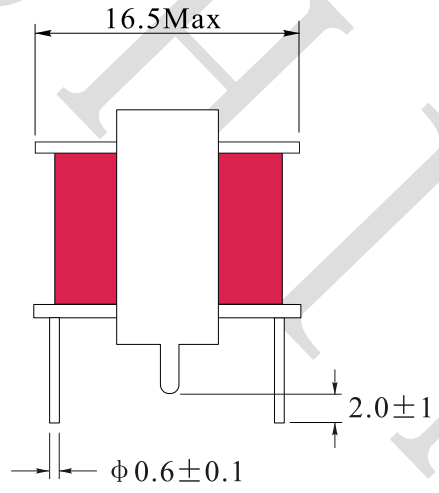
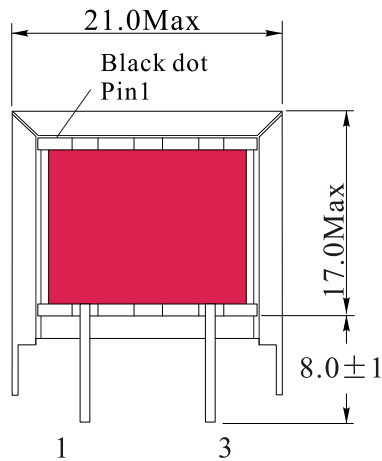


Rev.	Description	Date
A0	New release	2022.03.29

1. PHYSICAL CHARACTERISTICS (mm)



Top Marking

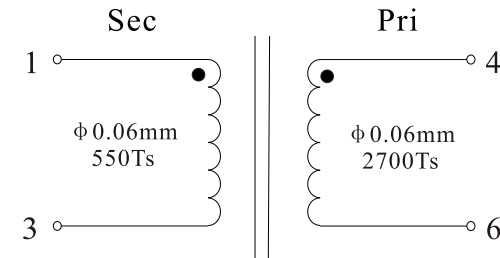
AT405-2

Pin1 Pin2

NOTES:

Temp 20°C 48%RH
RoHS Compliant

2. ELECTRONICAL SCHEMATIC



3. ELECTRONICAL SPECIFICATIONS

Inductance: Pri: 4.0H±20%@1.0KHz,0.25V

Sec: 190mH±20%@1.0KHz,0.25V

DCR: Pri: 600Ω±20%

Sec: 100Ω±20%

Impedance ratio: Pri:Sec= 10kΩ:600Ω±10%@1KHz

Note:

- Solderability: leads shall meet MIL-STD-202, Method 208D for solderability.
- Flammability: UL94V-0
- ASTM oxygen index: >28%

NAME:	Audio Transformer		
CUSTOMER P/N:		DATE:	2022-03-29
SHINHOM P/N:	AT405-2	REV: A0	PAGE
DRAWN BY	CHECKED BY	APPROVE BY	



SHINHOM
SHAANXISHINHOM ENTERPRISE CO LTD

The Document property belong to SHINHOM & is not allowed to be duplicated without authorization