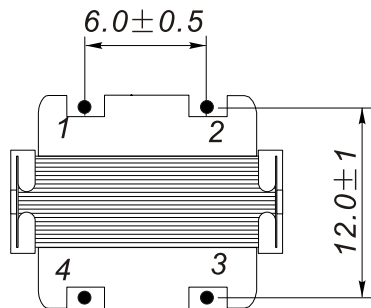
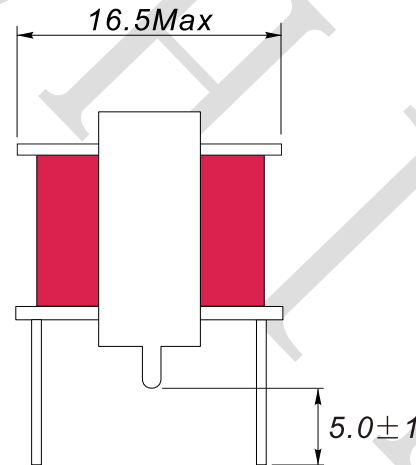
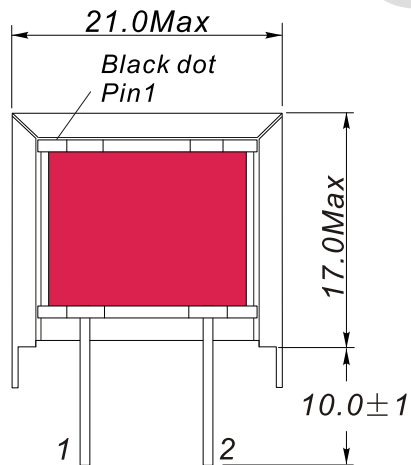
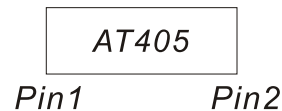


Rev.	Description	Date
A0	New release	2019.06.10

1. PHYSICAL CHARACTERISTICS (mm)

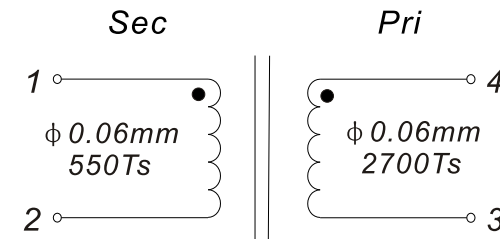


Top Marking



NOTES:
Temp 20°C 48%RH
RoHS Compliant

2. ELECTRONICAL SCHEMATIC



3. ELECTRONICAL SPECIFICATIONS

Inductance: Pri: 4.0H ± 20% @ 1.0KHz, 0.25V

Sec: 190mH ± 20% @ 1.0KHz, 0.25V

DCR: Pri: 600Ω ± 20%

Sec: 100Ω ± 20%

Impedance ratio: Pri:Sec = 10kΩ : 600Ω ± 10% @ 1KHz

Note:

- Solderability: leads shall meet MIL-STD-202, Method 208D for solderability.
- Flammability: UL94V-0
- ASTM oxygen index: >28%

NAME:	Audio Transformer		
CUSTOMER P/N:		DATE:	2019-06-10
SHINHOM P/N:	AT405	REV: A0	PAGE
DRAWN BY	CHECKED BY	APPROVE BY	



SHINHOM

SHAANXISHINHOM ENTERPRISE CO LTD

TEL: +86-029-87851838
FAX: +86-029-87851840
ZIP: 710054
Http://www.shinhom.com
E-mail: shinhom@globalsources.com
sales@shinhom.com.cn
NO. 8, Yanta Northern Road, Xi'an Shaanxi Pro. China